

DIAC APPLICATION NOTE

IOC/TOC Unit

The relay has one TOC target and one IOC target and uses a seal-in unit as its tripping element. The trip contact remains closed until the trip circuit drops below 0.19 A. A breaker contact

(52a) can be provided in series with the trip circuit to reset the target once the breaker tripped on fault.

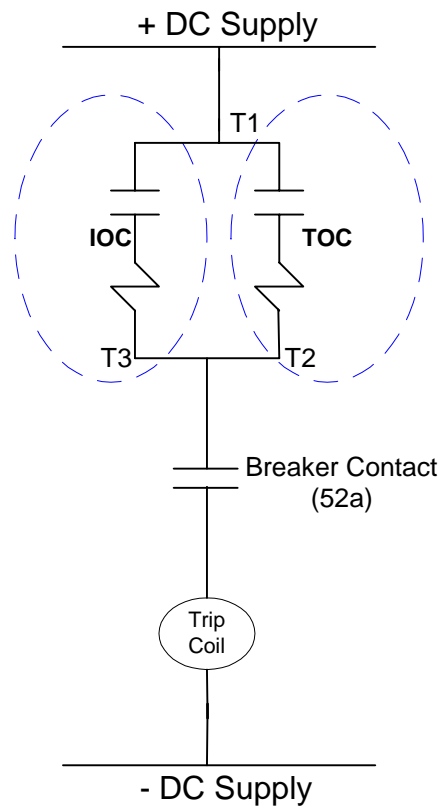


Figure 32: IOC/TOC UNIT



GE Power Management

215 Anderson Avenue
Markham, Ontario
Canada L6E 1B3
Tel: (905) 294-6222
Fax: (905) 201-2098
www.GEindustrial.com/pm