



GE Power Management Control System



[GE ED&C Home](#) | [Search ED&C](#) | [GE ED&C Power Management Home](#) | [GE ED&C PMCS Home](#)

Technical Note #41

GE Power Management Control System

Integrating Square D Series 2000 Circuit Monitors with PMCS

- [Description](#)
 - Software
 - Hardware
- [Operation](#)
- [Product Support](#)
- [Operator Interfaces](#)
- [F A Q's](#)
- [App Notes](#)
- [Download Area](#)
- [Manuals](#)

Subject: Square D Circuit Monitor Integration

Applies To: PMCS

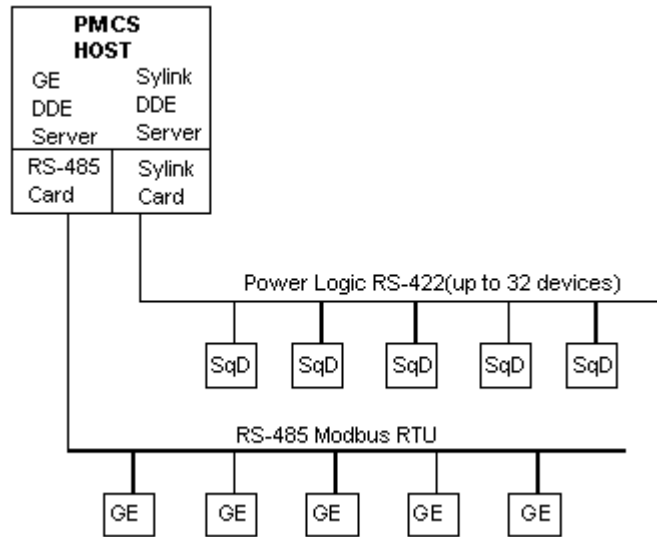
Information from Square D Series 2000 Circuit monitors can be displayed using the GE Power Management and Control System (PMCS). This is accomplished using Square D PowerLogic or Sy/Net networks and hardware with the Sy /Link DDE server from Wonderware. This DDE server uses the Square D Sy/Link computer card. Using this path all metering, energy, and demand parameters can be brought into the PMCS system. It is also possible to display harmonic magnitude, angle, and THD information for those meters that support it. Additionally, it is possible to view and set setpoints, reset energy values, and record event information.

Useful Information

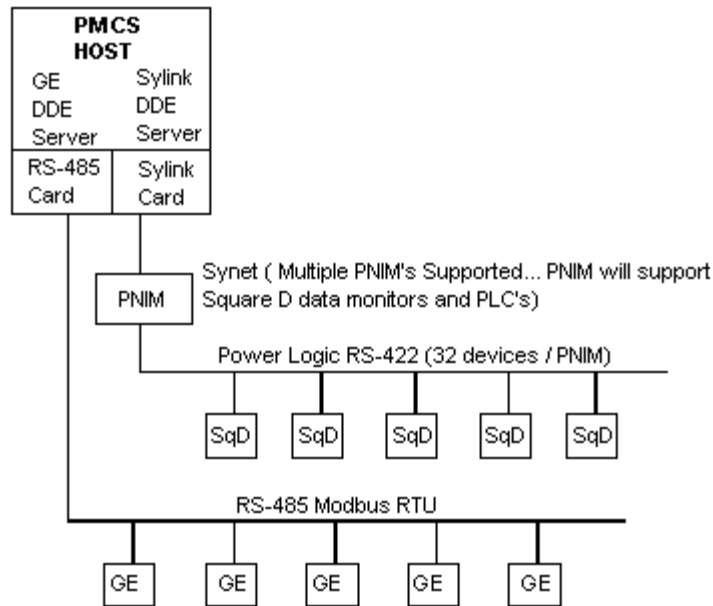
- [Glossary of Terms](#)
- [Useful Links](#)
- [Search Tech support](#)

We want to hear from you!

- Service and Support [locations](#) around the world .



Example network with GE and Square D Devices - PowerLogic only



Example network with GE and Square D Devices - PowerLogic and Sy/Net

Frequently Asked Questions:

Who would benefit most from this option? Customers with a mixed base of Square D Circuit Monitors and GE devices.

Are there features of the Circuit Monitors that I cannot use? Square D does not publish the registers for waveform capture, event logs, data logs, and disturbance monitoring in the Circuit Monitor Instruction bulletin.

Do Square D devices have wizards? No, at this time all screens and tags for Square D devices must be created using the tools in Wonderware Intouch. This can be done as a turn key system using GE or another integrator. By using an integrator that has integrated to these device in the past this work can be greatly reduced.

What is the hardware Required? A Square D Sy/Link card is needed to bring the information into the PC. This card would be connected to the PowerLogic devices either directly to a PowerLogic network of up to 32 devices or through Sy/Net to one or more networks of PowerLogic Devices attached to one or more PowerLogic Network Interface Modules. The Sy/Link card, PowerLogic Network Interface Module, and all necessary connection information are available from Square D corporation. Compatibility of the Sy/Link card with the computer and operating system to be used should be checked using the guidelines in the Sy/Link manual.

Keywords

Square D, Circuit Monitor

Related Notes

none

Powerlogic, Sy/Net, and Sy/Link are Registered Trademarks of Square D Company.

Wonderware and Wonderware Intouch are Registered Trademarks of Wonderware

Corporation.

Last Revised 6/10/97

[*GE home page*](#)

[Search ED&C](#) | [GE home page](#) | [GE news](#) | [GE business finder](#) | [GE products & services](#)