



INSTRUCTIONS

GEK-41979
Insert Booklet GEK-34059

AC PILOT WIRE CHECKING RELAY TYPE BBA MODEL 0257A1347

INTRODUCTION

These instructions together with those included in the attached book GEK-34059 form the instructions for this relay.

DESCRIPTION

Special Relay 0257A1347 is similar to Model 12BBA22B except that the diodes are in series with the coils of the operating units rather than in parallel with them. Thus, this relay presents substantially an open circuit (on a dc basis) to the pilot wires if the dc voltage on the wires is reversed. The standard relay would present substantially a short circuit to the pilot wires under this condition.

This relay has no internal power supply and it is therefore a RECEIVING END relay.

The relay has two units, an undercurrent alarm unit and an overcurrent trip unit.

This relay is electrically equivalent to Special Relay 0367A805 but it is packaged in a case like the BBA22B.

The internal connections diagram is shown in Figure 1 of this supplement.

A typical external connections diagram is shown in Figure 2 of this supplement.

Settings

The overcurrent unit in this special relay is shipped adjusted to pickup at 7.5 milliamperes (limits 7.45 - 7.55) and dropout at 5.0 milliamperes (limits 4.95 - 5.05). The undercurrent unit is shipped adjusted to operate at the same currents as the undercurrent unit in the Model BBA22B (pickup at 3.0 and dropout at 2.0 milliamperes).

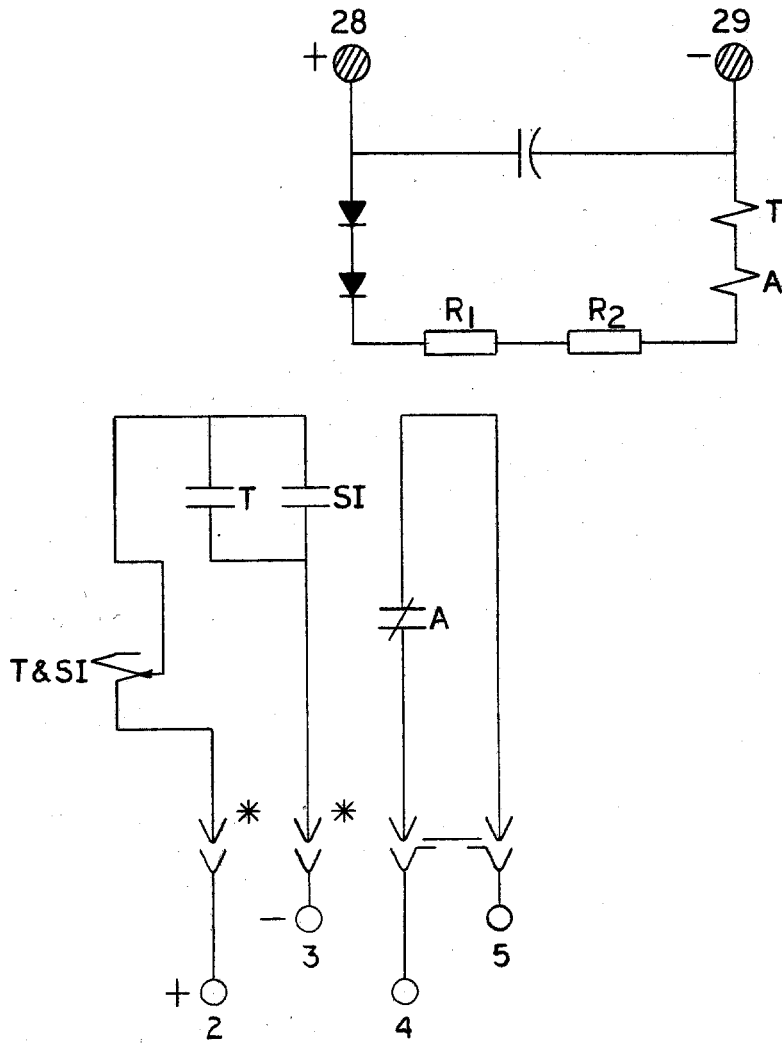
The SENDING END relay intended for use with this relay is 0257A1346.

These instructions do not purport to cover all details or variations in equipment nor to provide for every possible contingency to be met in connection with installation, operation or maintenance. Should further information be desired or should particular problems arise which are not covered sufficiently for the purchaser's purposes, the matter should be referred to the General Electric Company.

POWER SYSTEMS MANAGEMENT DEPARTMENT

GENERAL  ELECTRIC

PHILADELPHIA, PA.



*=SHORT FINGER

HIGH VOLTAGE STUDS (28 & 29) PROJECT THRU REAR OF CASE. LEADS & BUSHINGS MUST BE REMOVED FROM STUDS 28 & 29 BEFORE CRADLE CAN BE WITHDRAWN.

Fig. 1 (0257A5007-0) Internal Connections For Special Relay 0257A1347

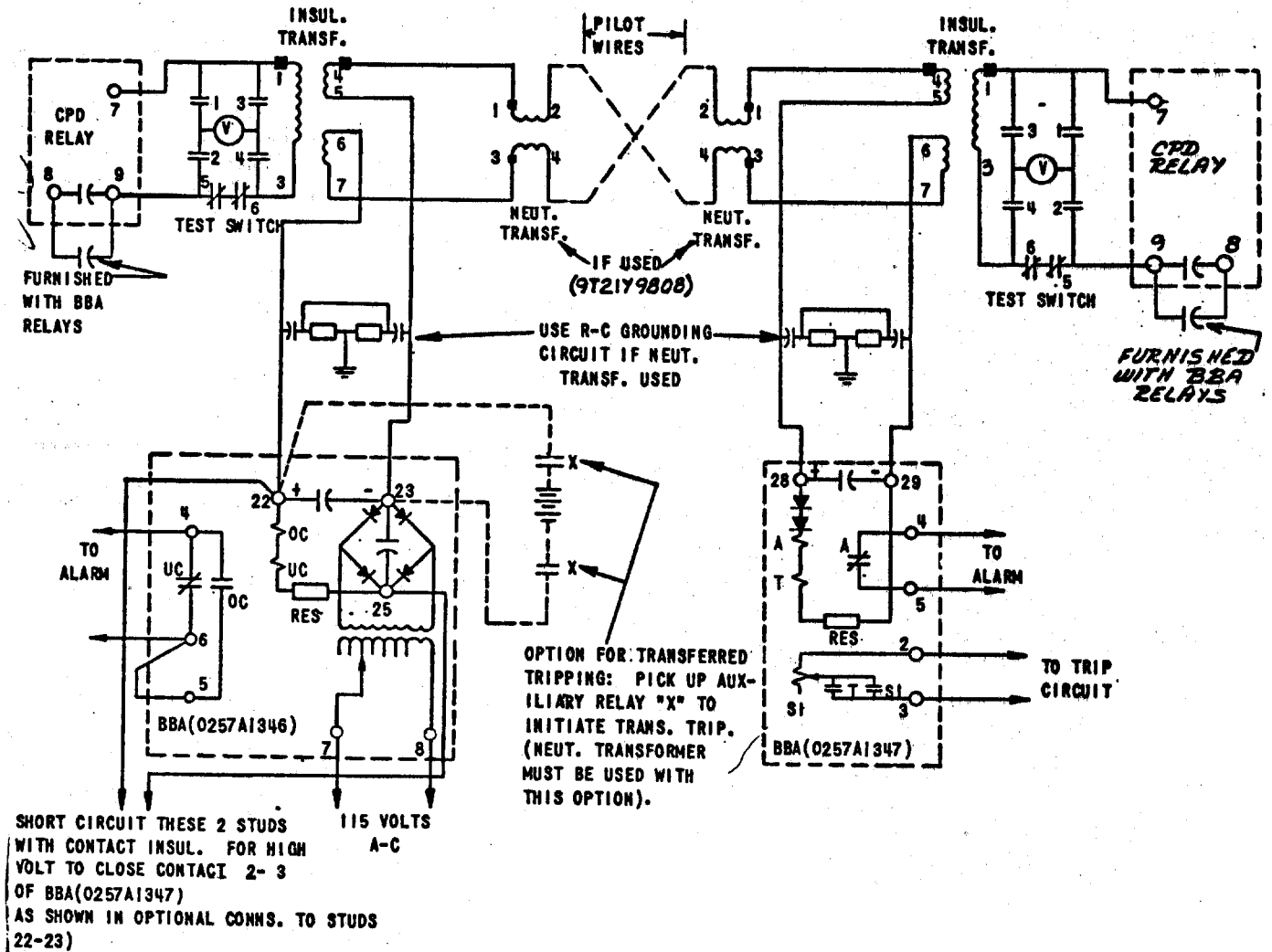


Fig. 2 (0257A5048-0) Typical External Connections For Automatic Supervision Of AC Pilot Wires For CPD Relay

GENERAL ELECTRIC INSTALLATION AND SERVICE ENGINEERING OFFICES

FIELD SERVICE OFFICE CODE KEY

- * Mechanical & Nuclear Service
- Electrical & Electronic Service
- † Marine Service
- X Transportation

FOR YOUR LASTING SATISFACTION . . . with the performance and availability of your General Electric equipment, GE provides this nationwide network of field service offices, serving utility, industrial, transportation and marine users. Qualified field engineers provide installation, start-up, employee training, engineering maintenance and other services, throughout the productive life of the equipment. For full information, call your nearest Installation & Service Engineering office.

ALABAMA	LOUISIANA	OKLAHOMA
* † Birmingham 35205 2151 Highland Ave.	* † Baton Rouge 70806 8312 Florida Blvd.	* † Oklahoma City 73106 2000 Classen Blvd.
* † Mobile 36609 1111 S. Beltline Highway	* † New Orleans 70125 4747 Earhart Blvd.	† Tulsa 74105 P. O. Box 7646, Southside Sta.
ALASKA	MARYLAND	OREGON
† Anchorage 99501 115 Whitney Rd.	* † Baltimore 21201 1 N. Charles St.	† Eugene 97401 1170 Pearl St.
ARIZONA	MASSACHUSETTS	* † Portland 97210 2929 NW 29th Ave.
* † Phoenix 85012 3550 N. Central Ave.	* † Wellesley 02181 1 Washington St.	PENNSYLVANIA
† Tucson 85716 151 S. Tucson Blvd.	MICHIGAN	* † Allentown 18102 1444 Hamilton St.
ARKANSAS	* † Detroit 48202 700 Antoinette St.	* † Philadelphia 19102 3 Penn Center Plaza
† North Little Rock 72119 120 Main St.	† Jackson 49201 210 W. Franklin St.	* † Pittsburgh 15222 300 6th Avenue Bldg.
CALIFORNIA	† Saginaw 48607 1006 Second National Bank Bldg.	SOUTH CAROLINA
* † Los Angeles 90054 212 N. Vignes St.	MINNESOTA	† Columbia 29204 2700 Middleburg Dr.
* † Palo Alto 94303 960 San Antonio Rd.	* † Duluth 55802 300 W. Superior St.	† Greenville 29507 41 No. Pleasantburg Dr.
† Sacramento 95808 2407 J St.	* † Minneapolis 55416 1500 Lilac Drive So.	TENNESSEE
† San Diego 92103 2560 First Ave.	MISSOURI	* † Chattanooga 37411 5800 Bldg. Eastgate Center
* † San Francisco 94116 55 Hawthorne St.	* † Kansas City 64199 911 Main St.	† Memphis 38130 3385 Airways Blvd.
* † Vernon 90058 3035 E. 46th St.	* † St. Louis 63101 1015 Locust St.	TEXAS
COLORADO	MONTANA	* † Amarillo 79101 303 Polk St.
* † Denver 80206 201 University Blvd.	† Butte 59701 103 N. Wyoming St.	* † Beaumont 77704 1385 Calder Ave
CONNECTICUT	NEBRASKA	* † Corpus Christi 78401 205 N. Chaparral St.
* † Meriden 06450 1 Prestige Dr.	* † Omaha 68102 409 S. 17th St.	* † Dallas 75222 8101 Stemmons Freeway
FLORIDA	NEW JERSEY	* † El Paso 79945 215 N. Stanton
† Jacksonville 32203 4040 Woodcock Dr.	* † Millburn 07041 25 E. Willow St.	* † Fort Worth 76102 408 W. Seventh St.
† Miami 33134 4100 W. Flagler St.	NEW YORK	* † Houston 77027 4219 Richmond Ave.
* † Tampa 33609 2106 S. Lois Ave.	* † Albany 12205 15 Computer Drive, West	† San Antonio 78204 434 S. Main St.
GEORGIA	* † Buffalo 14205 825 Delaware Ave.	UTAH
* † Atlanta 30309 1860 Peachtree Rd., NW	* † New York 10022 641 Lexington Ave.	† Salt Lake City 84111 431 S. Third East St.
* † Savannah 31405 5002 Paulsen St.	* † Rochester 14804 89 East Ave.	VIRGINIA
HAWAII	* † Syracuse 13206 3532 James St.	* † Newport News 23601 311 Main St.
* † Honolulu 96813 440 Coral St.	NORTH CAROLINA	† Richmond 23230 1508 Willow Lawn Dr.
ILLINOIS	* † Charlotte 28207 141 Providence Rd.	† Roanoke 24015 2018 Colonial Ave.
* † Chicago 60680 840 S. Canal St.	* † Wilmington	WASHINGTON
INDIANA	† Reigelwood 28456 P. O. Box 166	* † Seattle 98188 112 Andover Park East, Tukwila
† Evansville 47705 2709 Washington Ave.	OHIO	† Spokane 99202 E. 1805 Trent Ave.
† Fort Wayne 46807 3606 S. Calhoun St.	* † Cincinnati 45206 2621 Victory Pkwy.	WEST VIRGINIA
* † Indianapolis 46207 3750 N. Meridian St.	* † Cleveland 44104 1000 Lakeside Ave.	* † Charleston 25328 306 MacCorkle Ave., SE
IOWA	† Columbus 43229 1110 Morse Rd.	WISCONSIN
† Davenport 52805 P. O. Box 830, 1039 State St., Bettendorf	† Toledo 43606 3125 Douglas Rd.	* † Appleton 54911 3003 West College Dr.
KENTUCKY	† Youngstown 44507 272 Indianola Ave.	† Milwaukee 53202 615 E. Michigan St.
† Louisville 40218 2300 Meadow Dr.		

GENERAL ELECTRIC SERVICE SHOPS

WHEN YOU NEED SERVICE . . . These GE Service Shops will repair, recondition, and rebuild your electric apparatus. The facilities are available day and night, seven days a week, for work in the shops or on your premises.

Latest factory methods and genuine GE renewal parts are used to maintain performance of your equipment. For full information about these services, contact your nearest service shop or sales office.

ALABAMA	LOUISIANA	OKLAHOMA
* • Birmingham 35211 1500 Mims Ave., S. W.	• Baton Rouge 70814 10955 North Dual St.	• Tulsa 74145 5220 S. 100th East Ave.
• Mobile 36609 721 Lakeside Dr.	• New Orleans 70114 1115 DeArmas St.	OREGON
ARIZONA	MARYLAND	• Eugene 97402 570 Wilson St.
• (Phoenix) Glendale 85019 4911 W. Colter St.	* • Baltimore 21230 920 E. Fort Ave.	• Portland 97210 2727 NW 29th Ave.
• Phoenix 85019 3840 W. Clarendon St.	MASSACHUSETTS	PENNSYLVANIA
• Tucson 85713 2942 So. Palo Verde Ave.	* • (Boston) Medford 02155 3960 Mystic Valley Pkwy.	• Allentown 18103 668 E. Highland St.
CALIFORNIA	MICHIGAN	• (Delaware Valley) Cherry Hill, N. J., 08034 1790 E. Marlton Pike
• Los Angeles 90301 6800 Stanford Ave.	* • (Detroit) Riverview 18075 Krause Ave.	• Johnstown 15802 841 Oak St.
• (Los Angeles) Anaheim 92805 3601 E. LaPalma Ave.	• Flint 48505 1506 E. Carpenter Rd.	• Philadelphia 19124 1040 East Erie Ave.
• (Los Angeles) Inglewood 90301 228 W. Florence Ave.	MINNESOTA	• (Pittsburgh) West Mifflin 15122 4930 Buttermilk Hollow Rd.
• Sacramento 95814 89 North 17th St.	• Duluth 55807 50th Ave. W & St. Louis Bay	• York 17403 54 N. Harrison St.
• (San Francisco) Oakland 94608 1650 34th St.	• Minneapolis 55430 2025 49th Ave., N.	SOUTH CAROLINA
COLORADO	MISSOURI	• (Charleston) No. Charleston 29401 2490 Debonair St.
• Denver 80205 3353 Larimer St.	* • Kansas City 64120 3525 Gardner Ave.	TENNESSEE
CONNECTICUT	• St. Louis 63110 1115 East Rd.	• Knoxville 37914 2621 Governor John Sevier Hwy.
• • (Southington) Plantsville 06479 370 Atwater St.	NEW JERSEY	• Memphis 38107 708 North Main St.
FLORIDA	• New Brunswick 08902 3 Lawrence St.	TEXAS
• Jacksonville 32203 2020 W. Beaver St.	NEW MEXICO	• Beaumont 77705 1490 W. Cardinal Dr.
• (Miami) Hialeah 33010 1082 East 28th St.	• Albuquerque 87109 4420 McLeod Rd. NE	• Corpus Christi 78401 3202 Manor Way
• Tampa 33601 19th & Grant Sts.	NEW YORK	• Dallas 75235 6918 Harwin Dr.
GEORGIA	• Albany 12205 1097 Central Ave.	• Houston 77036 5534 Harvey Wilson Dr.
• (Atlanta) Chamblee 30341 5035 Peachtree Industrial-Bldg.	• (Buffalo) Tonawanda 14150 175 Milens Rd.	• Houston 77038 704 S. Johnston St.
• Atlanta 2379 John Glenn Dr.	• (Long Island) Old Bethpage 11804 183 Bethpage-Sweet Hollow Rd.	UTAH
ILLINOIS	• (New York City) North Bergen, N. J. 07012 6001 Tonnelle Ave.	• Salt Lake City 84110 301 S. 7th West St.
• Chicago 60638 6045 S. Nottingham Ave.	• (New York City) Clifton, N. J. 07012 9 Brighton Rd.	VIRGINIA
INDIANA	• Schenectady 12305 1 River Rd.	• Richmond 23224 1403 Ingram Ave.
• Evansville 47711 401 N. Congress Ave.	• Syracuse 13208 1015 E. Hiawatha Blvd.	• Roanoke 24013 1004 River Ave., SE
• Ft. Wayne 46803 1731 Edsall Ave.	NORTH CAROLINA	WASHINGTON
• Hammond 46320 1138 184th Place	• Charlotte 28208 2328 Thrift Rd.	• Seattle 98134 3422 First Ave., South
• Indianapolis 46222 1740 W. Vermont St.	OHIO	• Spokane 99211 E. 4323 Mission St.
IOWA	• Akron (Canton) 44720 7900 Whipple Ave. N. W.	WEST VIRGINIA
• (Davenport) Bettendorf 52722 1025 State St.	• Cincinnati 45202 444 West 3rd St.	• Charleston 25328 306 MacCorkle Ave., SE
KENTUCKY	• Cleveland 44125 4477 East 49th St.	WISCONSIN
• Louisville 40209 3900 Crittenden Drive	• Columbus 43229 6660 Huntley Rd.	• (Appleton) Menasha 54910 1725 Racine St.
	• Toledo 43605 405 Dearborn Ave.	• Milwaukee 53207 235 W. Oklahoms Ave.
	• Youngstown 44507 272 E. Indianola Ave.	

• Electrical/Mechanical Service Shop • Instrumentation Shop Δ Special Manufacturing Shop