

POWER DIRECTIONAL RELAYS
 TYPE CAP15A(-)Y1

The Type CAP15A(-)Y1R is identical in all respects to the CAP15A with the exception of the contact circuits which are arranged to make the common connection point between the normally open contact and the right holding coil available on a relay stud. Internal connections for the CAP15A(-)Y1 are shown in Fig. 1. Complete instructions for type CAP15A relays are given in GEI-12083.

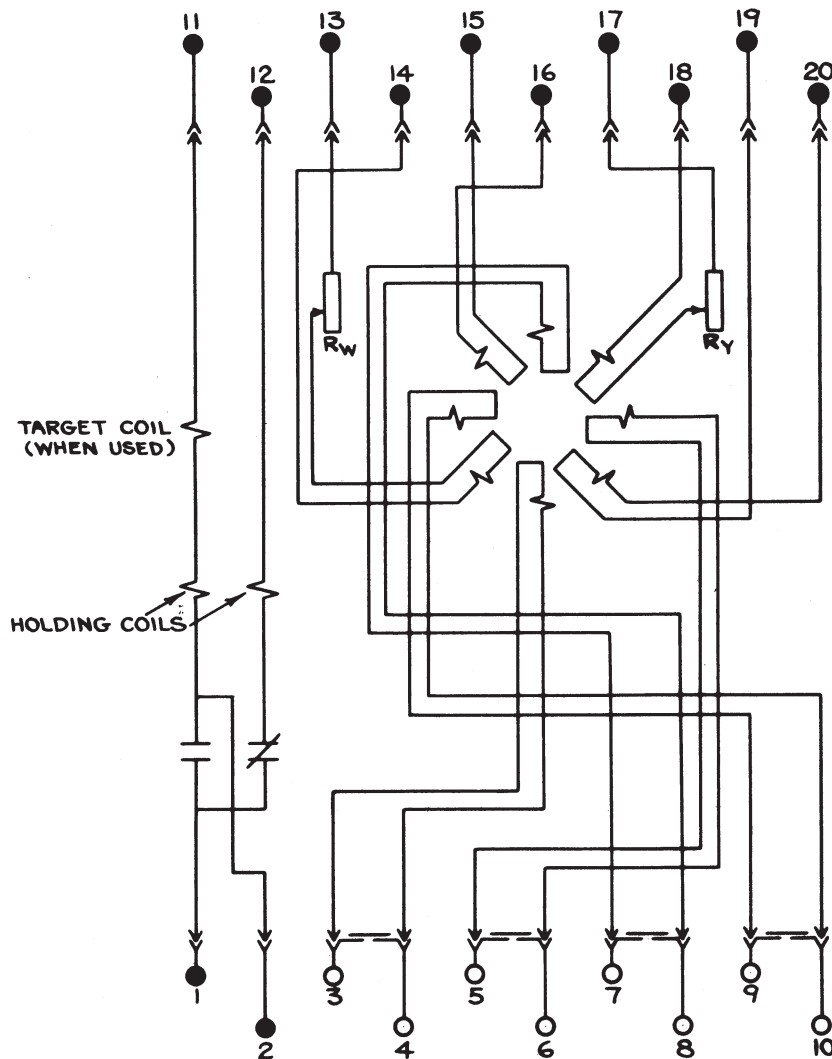


FIG. 1
 INTERNAL CONNECTIONS FOR TYPE CAP15A(-)Y1 - (FRONT VIEW)

These instructions do not purport to cover all details or variations in equipment nor to provide for every possible contingency to be met in connection with installation, operation or maintenance. Should further information be desired or should particular problems arise which are not covered sufficiently for the purchaser's purposes, the matter should be referred to the General Electric Company.



GE Power Management

215 Anderson Avenue
Markham, Ontario
Canada L6E 1B3
Tel: (905) 294-6222
Fax: (905) 201-2098
www.GEindustrial.com/pm