



INSTRUCTIONS

MHO DISTANCE RELAY

TYPE CEB99AA

The CEB99AA relay is similar to the CEB51B described in the attached instruction book, GEK-26420, except for the following:

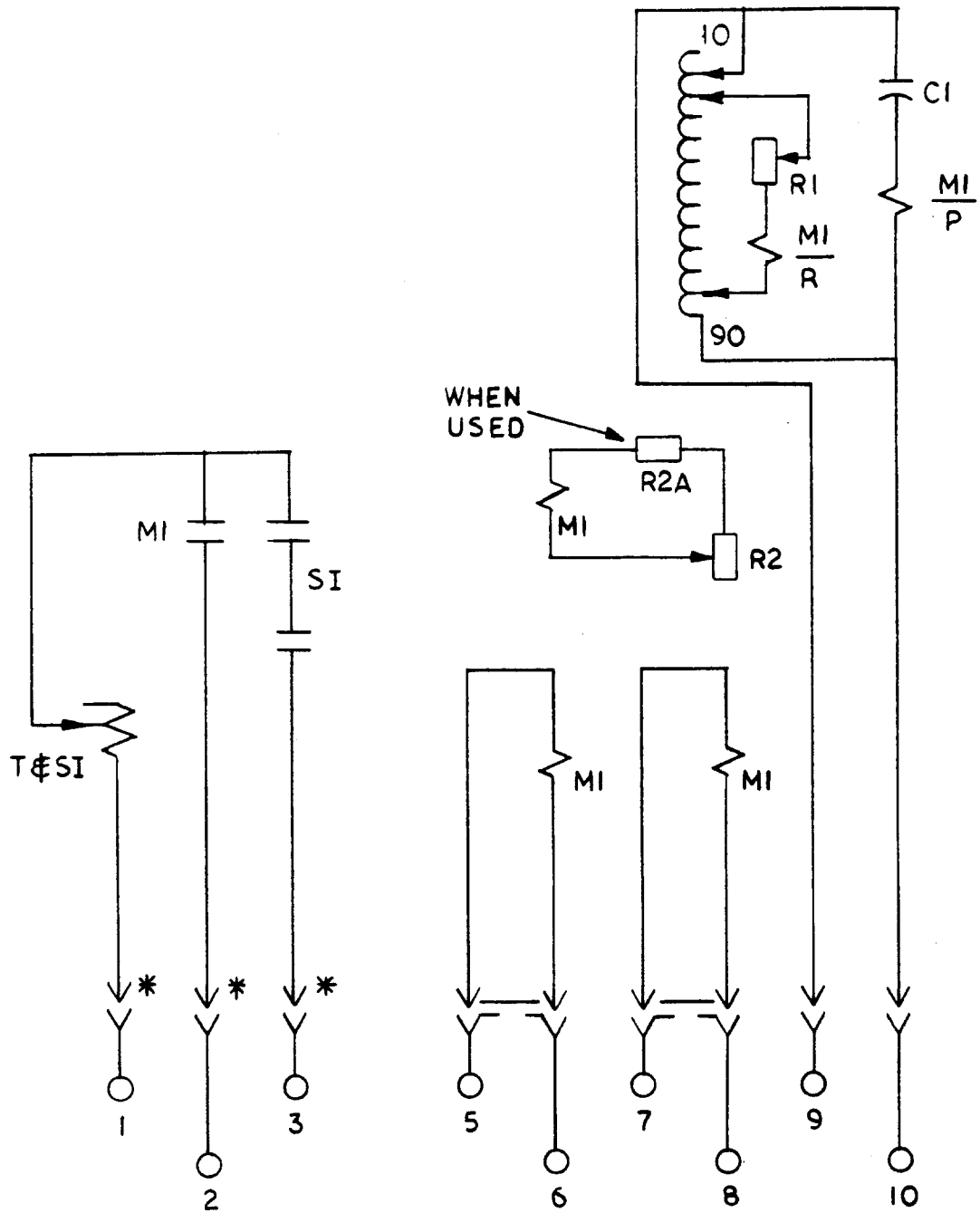
1. The CEB99AA has no offset.
2. The autotransformer has 1% steps in the CEB99AA.

The internal connections diagram for the CEB99AA is shown in Figure 1.

<u>Relay Model</u>	<u>Basic Minimum Reach P-N</u>
12CEB99AA001A	3 ohms at 75° lag
12CEB99AA002A	1.5 ohms at 75° lag

These instructions do not purport to cover all details or variations in equipment nor provide for every possible contingency to be met in connection with installation, operation or maintenance. Should further information be desired or should particular problems arise which are not covered sufficiently for the purchaser's purposes, the matter should be referred to the General Electric Company.

To the extent required the products described herein meet applicable ANSI, IEEE and NEMA standards; but no such assurance is given with respect to local codes and ordinances because they vary greatly.



* = SHORT FINGER

Figure 1 (0269A3012) Internal Connections Diagram for the CEB99AA Relay

**Meter and Control
Business Department**