



ANGLE IMPEDANCE RELAY

TYPE CEX

MODEL CEX17F

INTRODUCTION

These instructions plus those included in GEI-38858 form the instructions for the model 12CEX17F(-)A.

DESCRIPTION

The model 12CEX17F(-)A is similar to the model 12CEX17D(-)A described in the attached booklet except:

1. The internal connections are different and are as shown in Figure 1 of this supplement for the CEX17F.
2. The CEX17F includes a D-C auxiliary unit, (A), the coil of which is in series with both normally open ohm unit contacts. The pickup time of this unit is 4 milliseconds or less at rated voltage. This auxiliary circuit dissipates 8 watts in 125 volt forms and 18 watts in 250 volt forms.

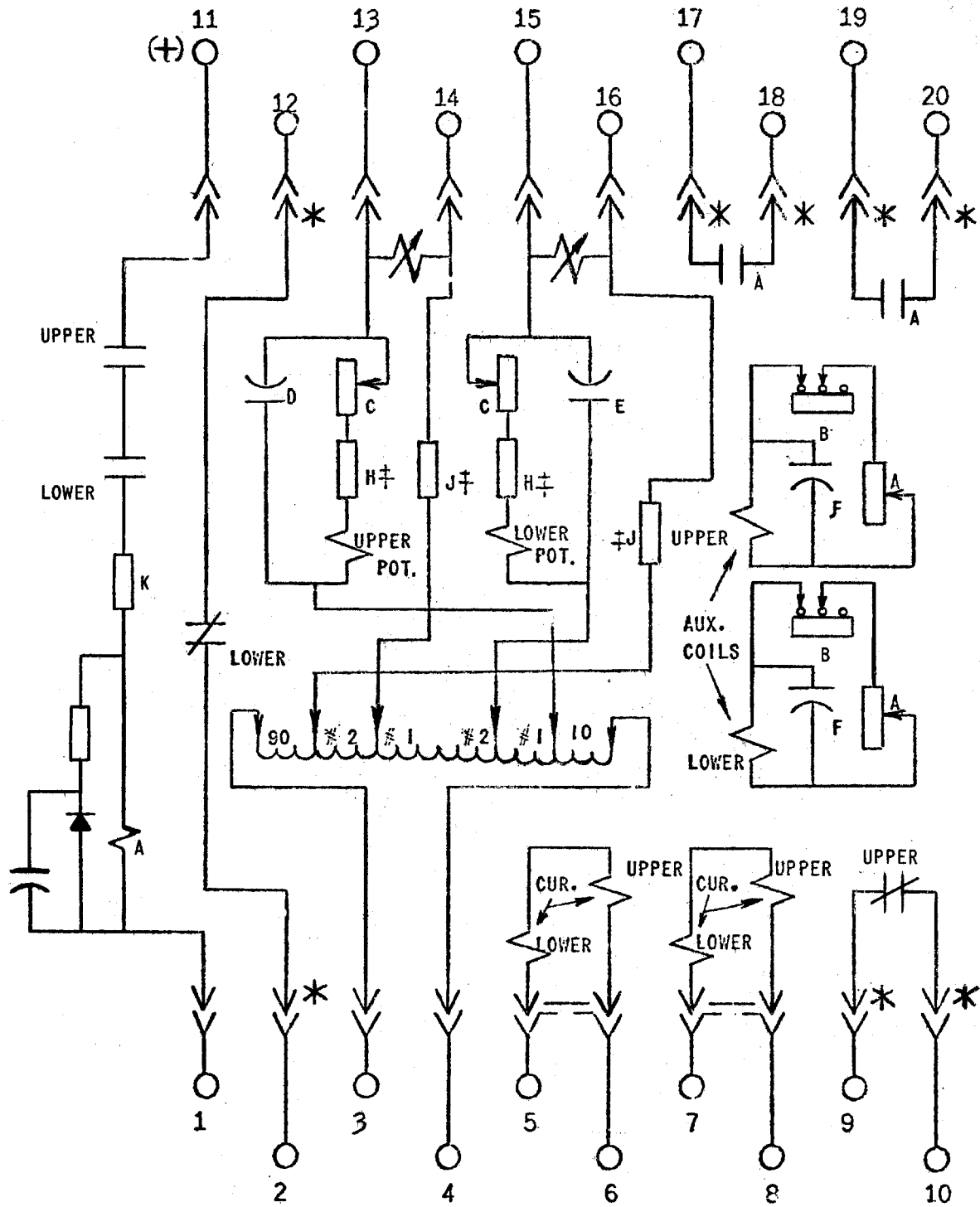
The contacts if the "A" unit will make and carry three amperes continuously or 30 amperes for tripping duty. The interrupting ratings are given in the table below.

AUXILIARY UNIT INTERRUPTING RATINGS

A-C VOLTS	AMPS	
	INDUCTIVE *	NON-INDUCTIVE
115	0.75	2.0
230	0.5	1.5
D-C VOLTS		
48	1.0	3.0
125	0.5	1.5
250	0.25	1.0

* The inductive rating is based on the inductance of an average tripping coil.

These instructions do not purport to cover all details or variations in equipment nor to provide for every possible contingency to be met in connection with installation, operation or maintenance. Should further information be desired or should particular problems arise which are not covered sufficiently for the purchaser's purposes, the matter should be referred to the General Electric Company.



* = SHORT FINGER
 ‡ = WHEN USED

FIG. 1 (0246A3356-0) Internal Connections For The CEX17F Relay