



## ***INSTRUCTIONS***

**Mho Distance Relay  
Type CEY  
Model 12CEY56A(-)D**

### INTRODUCTION

This insert booklet and the 12CEY52A(-)D instruction book (GEK-1289) form the instructions for the 12CEY56A(-)D relay.

### DESCRIPTION

The 12CEY56A(-)D relay is similar to the 12CEY52A(-)D relay except:

1. The angle of maximum torque is factory set for 75 degrees lag at the reach listed on the nameplate.
2. The target/seal-in and the contact circuits are wired similar to the 12CEY16(-)A relay. Check Figure 1 of this insert booklet for the 12CEY56A(-)A internal connections.

These instructions do not purport to cover all details or variations in equipment nor to provide for every possible contingency to be met in connection with installation, operation or maintenance. Should further information be desired or should particular problems arise which are not covered sufficiently for the purchaser's purposes, the matter should be referred to the General Electric Company.

To the extent required the products described herein meet applicable ANSI, IEEE and NEMA standard; but no such assurance is given with respect to local codes and ordinances because they vary greatly.

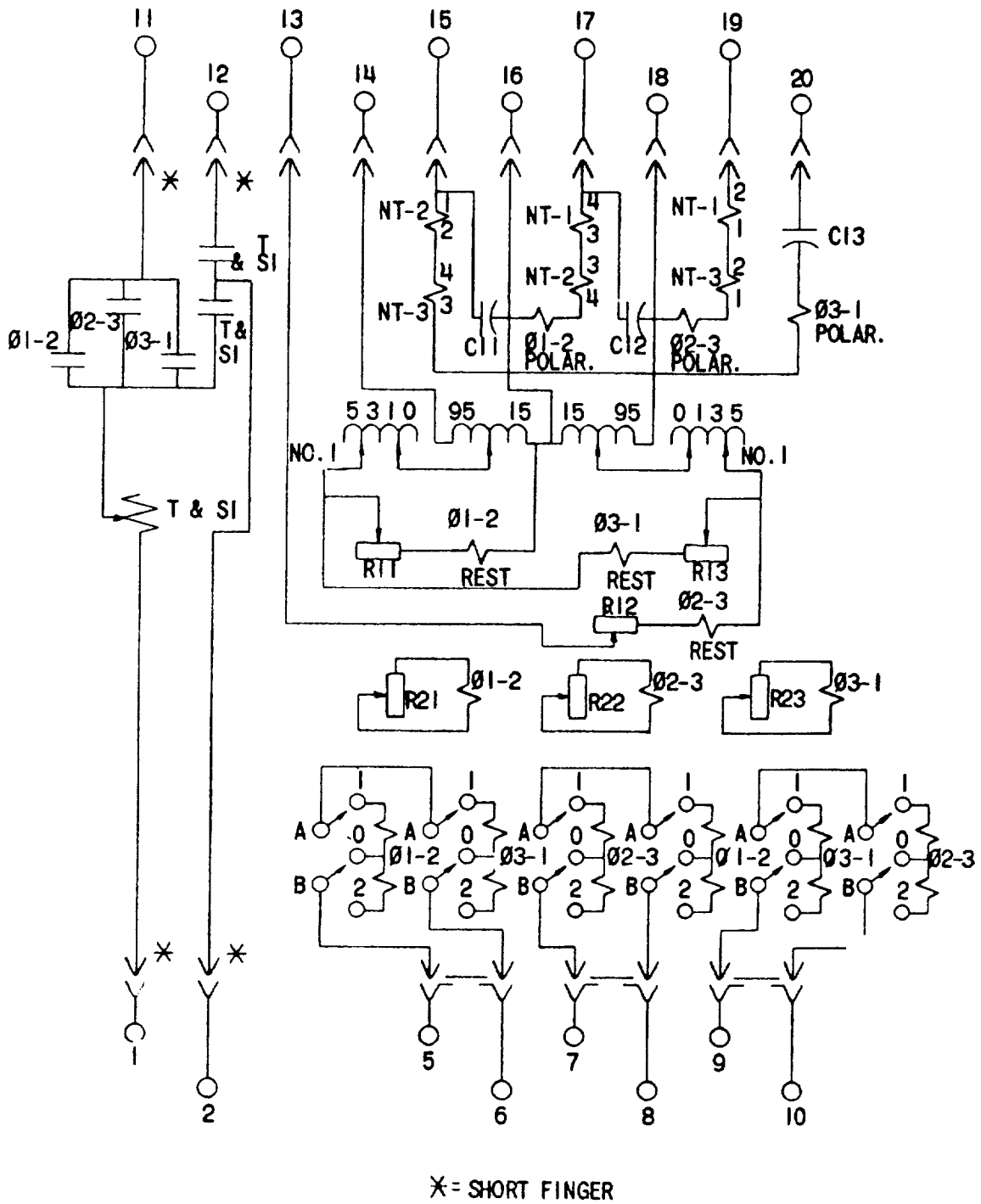


FIG. 1 (0227A7023-0) Internal Connections Diagram for the CEY56A Relay (Front View)