



INSTRUCTIONS

GEK-45420
INSERT GEI-33921

Overcurrent Relay

Type CFC99AA

INTRODUCTION

These instructions are a supplement to the included instruction book GEI-33921. The combination of the two books forms the instructions for the CFC99AA relay.

DESCRIPTION

The CFC99AA overcurrent relay is similar to the CFC12A relay except:

1. The six cycle time delay drop-out auxiliary relay has been omitted.
2. The relay has one N.O. contact.
3. The Target & Seal-in unit has a 0.6.2.0 taps.
4. The relay has a hi torque (4000 mmg) spring.
5. The internal connection diagram is given in Fig. 1 of this supplement.

RATINGS

The CFC99AA ratings are given in Table I below.

TABLE I

From	Cycles	Cont. Ratings (Amps)	One Second Ratings (Amps)	Pick-up Range (Amps)	Burden (Ohms)
001	50	1.0	93	1.0/4.0	3.36+j2.71

These instructions do not purport to cover all details or variations in equipment nor to provide for every possible contingency to be met in connection with installation, operation or maintenance. Should further information be desired or should particular problems arise which are not covered sufficiently for the purchaser's purposes, the matter should be referred to the General Electric Company.

The rating of the Target & Seal-in Unit is given in Table II below.

TABLE II

Characteristic	Tap	
	0.6	2.0
D.C. Resistance \pm 10% (Ohms)	0.6	0.13
Min. Operating (Amps)	0.6	2.0
Carry Cont. (Amps)	0.9	3.0
Carry 30 Amps for (Sec.)	0.5	4.0
Carry 10 Amps for (Sec.)	4.0	30.0
60 HZ Impedance (Ohms)	6.0	0.53
Min. Drop-out (Amps)	0.15	0.5

The Target & Seal-in unit contacts current closing rating is 30 amperes for voltage not exceeding 250 volts.

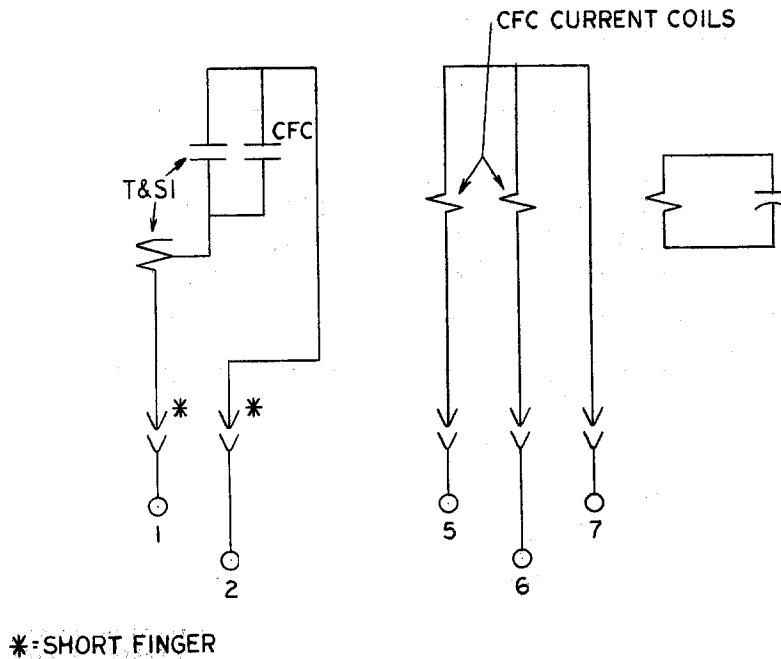


FIG. 1 0257A8385-0 INTERNAL CONNECTION FOR THE CFC99AA RELAY