



HIGH SPEED DIFFERENTIAL RELAY

TYPE CFD99AA

INTRODUCTION

These instructions are a supplement to Instruction Book GEH-2022 which is included in this book. The combination of the two provide instructions for the CFD99AA relay. All information pertinent to the CFD99A relay which is not covered by this supplement is as indicated in GEH-2022.

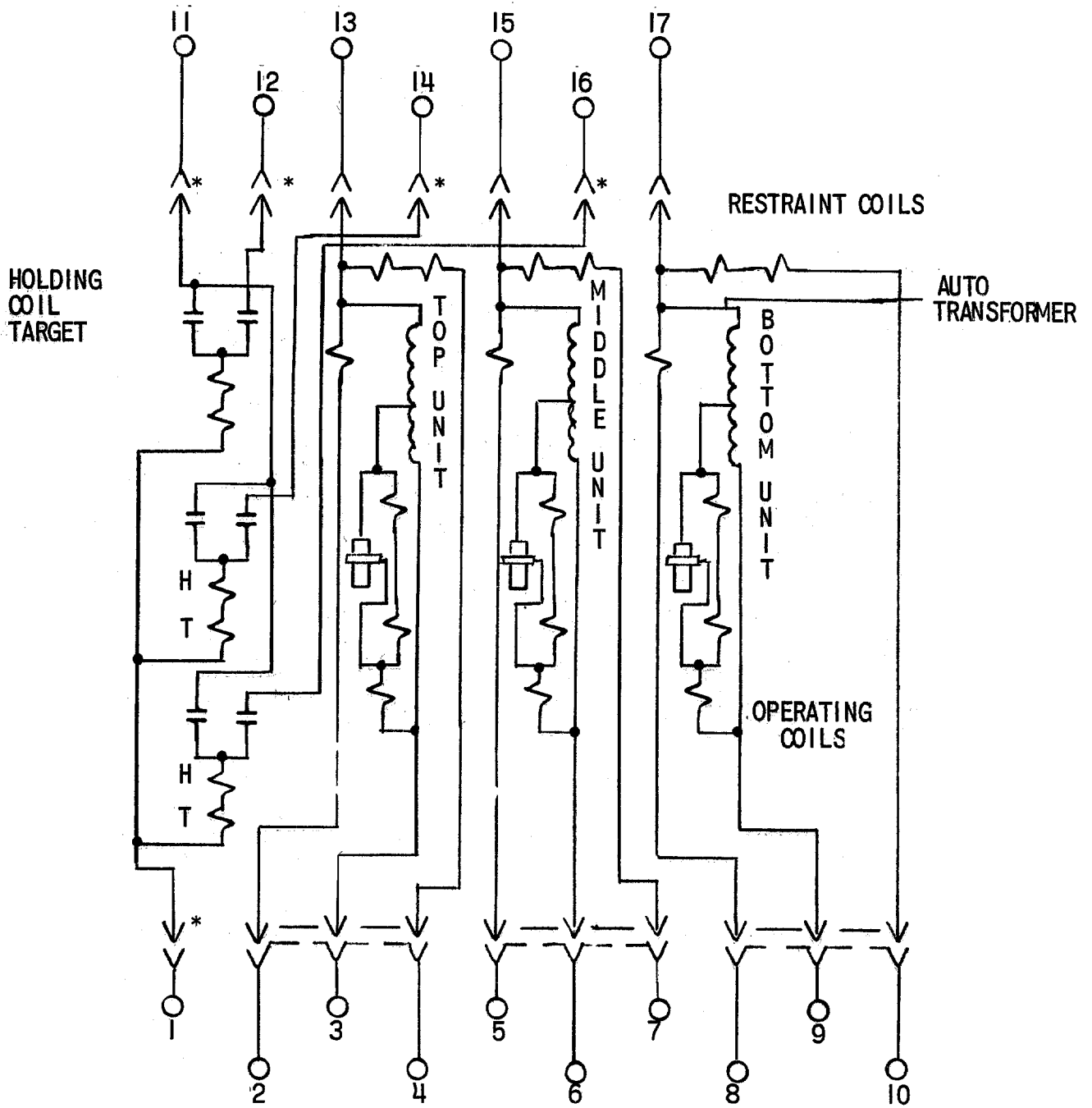
DESCRIPTION

Special relay CFD99AA is similar to the CFD12A except the resistor across the operating coil winding is an adjustable slide band type rather than a fixed resistor.

This adjustable resistor assists the factory in setting the operating characteristic, hence there should be no occasion to alter its setting in service.

Figure 1 of this supplement illustrates the internal connection diagram for the CFD99AA special relay.

These instructions do not purport to cover all details or variations in equipment nor to provide for every possible contingency to be met in connection with installation, operation or maintenance. Should further information be desired or should particular problems arise which are not covered sufficiently for the purchaser's purposes, the matter should be referred to the General Electric Company.



* 'SHORT FINGERS

SHORT BRUSH

FIG. 1 (0227A8085-0) TYPE CFD99AA INTERNAL CONNECTIONS DIAGRAM