



INSTRUCTIONS

GEK-45419
INSERT GEK-33921

HIGH SPEED NON-DIRECTIONAL OVERCURRENT RELAY

CHC99AA(-)A

TYPE CHC

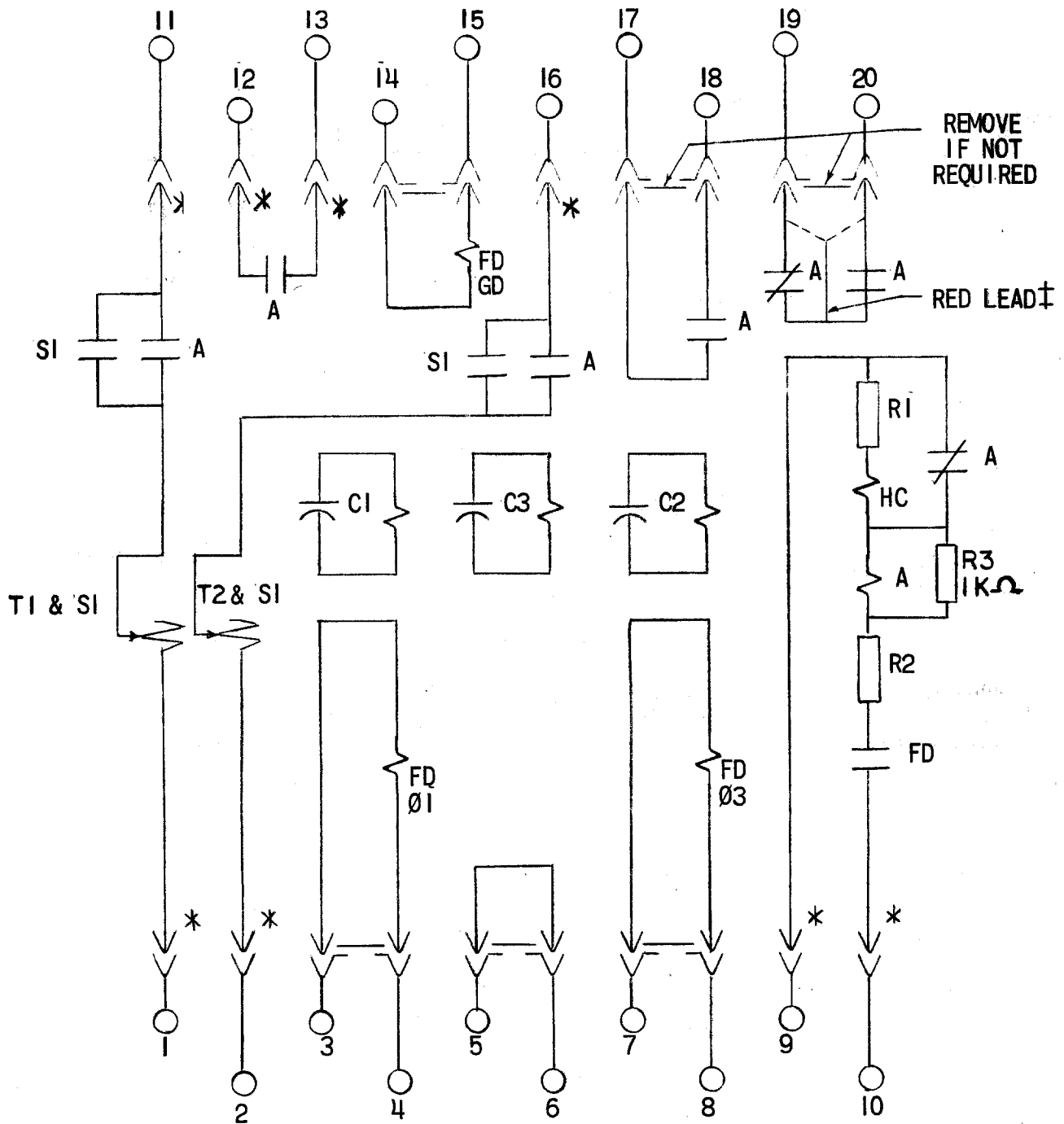
INTRODUCTION

These instructions plus those contained in GEK-33921 constitute the instructions for the CHC99AA RELAY.

DESCRIPTION

The CHC99AA(-) is similar to CHC21C(-)A covered in GEK-33921 except that the T1 and the T2 target units of CHC21C are replaced by target seal in units in CHC99AA. The CHC99AA internal connection diagram is shown by FIG. 1 of this supplement.

These instructions do not purport to cover all details or variations in equipment nor to provide for every possible contingency to be met in connection with installation, operation or maintenance. Should further information be desired or should particular problems arise which are not covered sufficiently for the purchaser's purposes, the matter should be referred to the General Electric Company.



A = TELEPHONE RELAY
 FD = CUP UNIT FAULT DETECTOR
 ‡ = CONNECT TO OBTAIN EITHER NORMALLY OPEN OR NORMALLY CLOSED CONTACT.
 HC = HOLDING COIL

* = SHORT FINGER

VOLTS	R1 OHMS	R2 OHMS
250	2000	600
125	1000	300
48	300	50

FIG. 1 (0257A5086-2) INTERNAL CONNECTIONS FOR THE CHC99AA(-) RELAY, FRONT VIEW.