



INSTRUCTIONS

GEK-7381C
Insert Booklet GEK-1253
Supersedes GEK-7381B

SPECIAL RELAY 12CHC99AD(-)A

INTRODUCTION

This supplement in addition to GEK-1253 constitutes the instructions for CHC99AD Relay, formerly identified as Special Relay 208A8123.

DESCRIPTION

Special Relay CHC99AD is similar to the CHC11A except for the following:

1. The internal connections are illustrated in Figure 1 of this supplement.
2. The holding coil is deleted in this special relay, as can be observed in Figure 1 of this supplement.

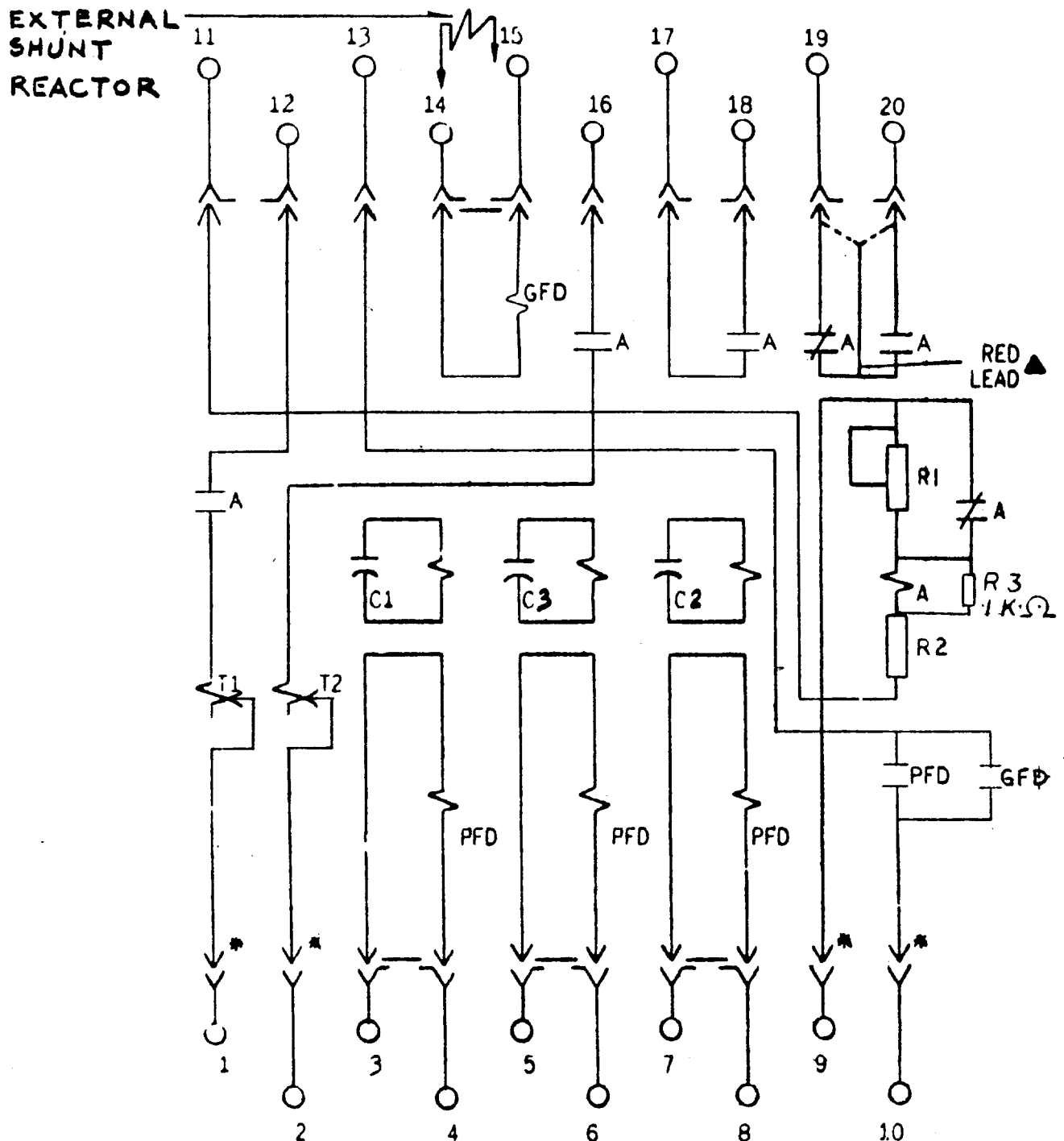
Other matters pertaining to this relay are discussed in the attached instruction book, GEK-1253, which is the standard instruction book for the CHC11A Relay.

The differences among the four forms of relay CHC99AD are shown in the following table:

FORM	001		002	003		004		005	
TARGET COIL AMPS, T ₁ & T ₂	0.2	2.0	1.0	1.0	4.0	0.2	2.0	0.2	2.0
COIL RESISTANCE, OHMS	7.0	.13	.21	.21	.06	7.0	.13	7.0	0.13
VOLTS DC	125		125	125		250		48	

These instructions do not purport to cover all details or variations in equipment nor to provide for every possible contingency to be met in connection with installation, operation or maintenance. Should further information be desired or should particular problems arise which are not covered sufficiently for the purchaser's purposes, the matter should be referred to the General Electric Company.

To the extent required the products described herein meet applicable ANSI, IEEE and NEMA standards; but no such assurance is given with respect to local codes and ordinances because they vary greatly.



A = TELEPHONE RELAY
 GFD = HINGED ARM. UNIT
 PFD = CUP UNIT
 ▲ = CONNECT TO OBTAIN EITHER NORMALLY OPEN
 OR NORMALLY CLOSED CONTACT.
 T1 & T2 = TARGETS

* = SHORT FINGER

VOLTS	R1 OHMS	R2 OHMS
125	1000	300
250	2000	600
48	300	50

FIG. 1 (0208A2491-4) INTERNAL CONNECTIONS DIAGRAM FOR THE CHC99AD RELAY