



## INSTRUCTIONS

GEK-45367  
Insert Booklet GEH-2044

### DIRECTIONAL OVERCURRENT RELAY

TYPE CJC

MODEL 12CJC99AA001

#### INTRODUCTION

These instructions together with those in GEH-2044 form the instructions for this relay.

#### DESCRIPTION

Special relay model 12CJC99AA001 is similar to model 12CJC15E(-)A except for the addition of an electrically separate back contact with a fixed reactor in series, connected between studs 9 and 10.

The internal connections are shown in Figure 1 of this supplement.

These instructions do not purport to cover all details or variations in equipment nor to provide for every possible contingency to be met in connection with installation, operation or maintenance. Should further information be desired or should particular problems arise which are not covered sufficiently for the purchaser's purposes, the matter should be referred to the General Electric Company.

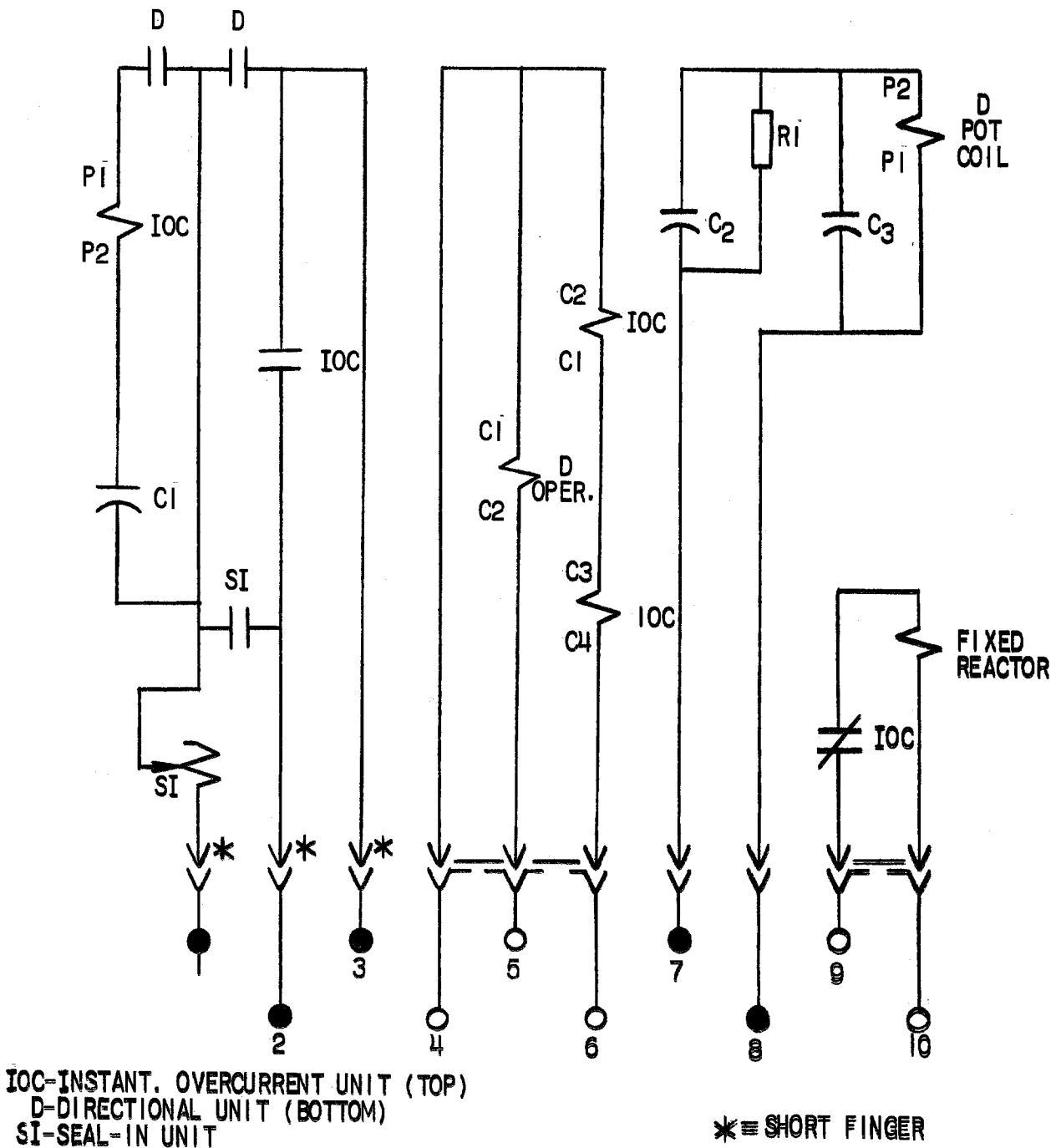


FIG. 1 (0257A8317-0) INTERNAL CONNECTIONS FOR TYPE CJC99AA SPECIAL RELAY