



INSTRUCTIONS

GEK-49877

INSERT BOOKLET GEI-83948

NEGATIVE SEQUENCE DIRECTIONAL RELAY

MODEL 12CNP99AA
TYPE CNP

INTRODUCTION

These instructions plus those included in GEI-83948 form the instructions for this relay.

DESCRIPTION

Model 12CNP99AA is similar to the 12CNP11A except for the contacts connected to the terminals which are shown in Fig. 1.

These instructions do not purport to cover all details or variations in equipment nor to provide for every possible contingency to be met in connection with installation, operation or maintenance. Should further information be desired or should particular problems arise which are not covered sufficiently for the purchaser's purposes, the matter should be referred to the General Electric Company.

To the extent required the products described herein meet applicable ANSI, IEEE and NEMA standards; but no such assurance is given with respect to local codes and ordinances because they vary greatly.

GENERAL  ELECTRIC

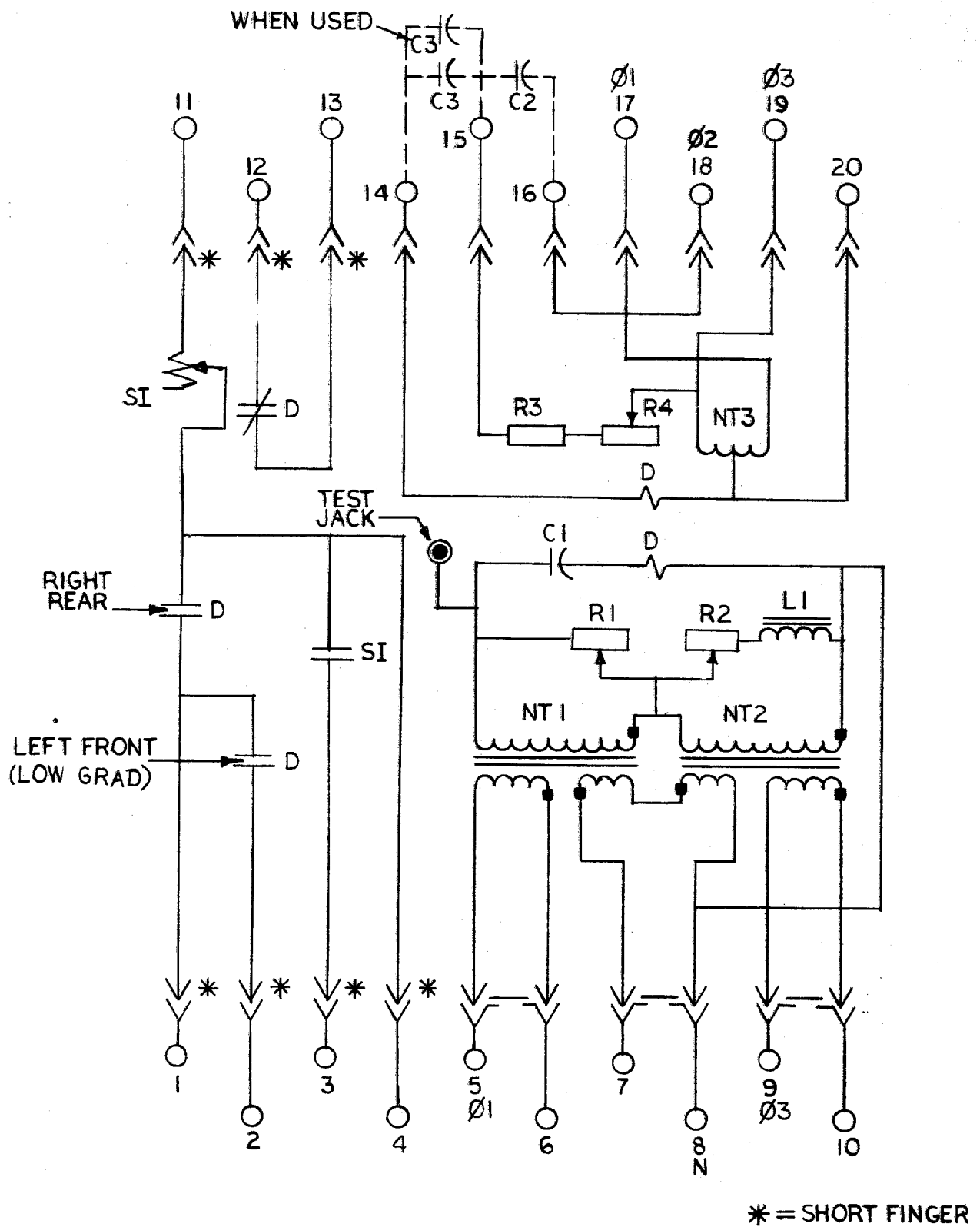


Fig. 1. (0275A2033-1) Internal Connections for 12CNP99AA Relay