



## INSTRUCTIONS

GEK-86730  
Insert Booklet GEI-83948

### NEGATIVE SEQUENCE RELAY

Type CNP

Model 12CNP99AB(-)A

#### INTRODUCTION

This instruction book, together with the information in the insert booklet, GEI-83948, forms the instructions for the 12CNP99AB(-)A relay.

#### DESCRIPTION

The 12CNP99AB(-)A relay is similar to the 12CNP11A(-)A relay except for the special contact arrangement.

The relay has two contacts, one normally closed, low gradient, and one normally open, barrel type.

The internal connection diagram is shown in Figure 1 of this booklet.

*These instructions do not purport to cover all details or variations in equipment nor to provide for every possible contingency to be met in connection with installation, operation or maintenance. Should further information be desired or should particular problems arise which are not covered sufficiently for the purchaser's purposes, the matter should be referred to the General Electric Company.*

*To the extent required the products described herein meet applicable ANSI, IEEE and NEMA standards; but no such assurance is given with respect to local codes and ordinances because they vary greatly.*

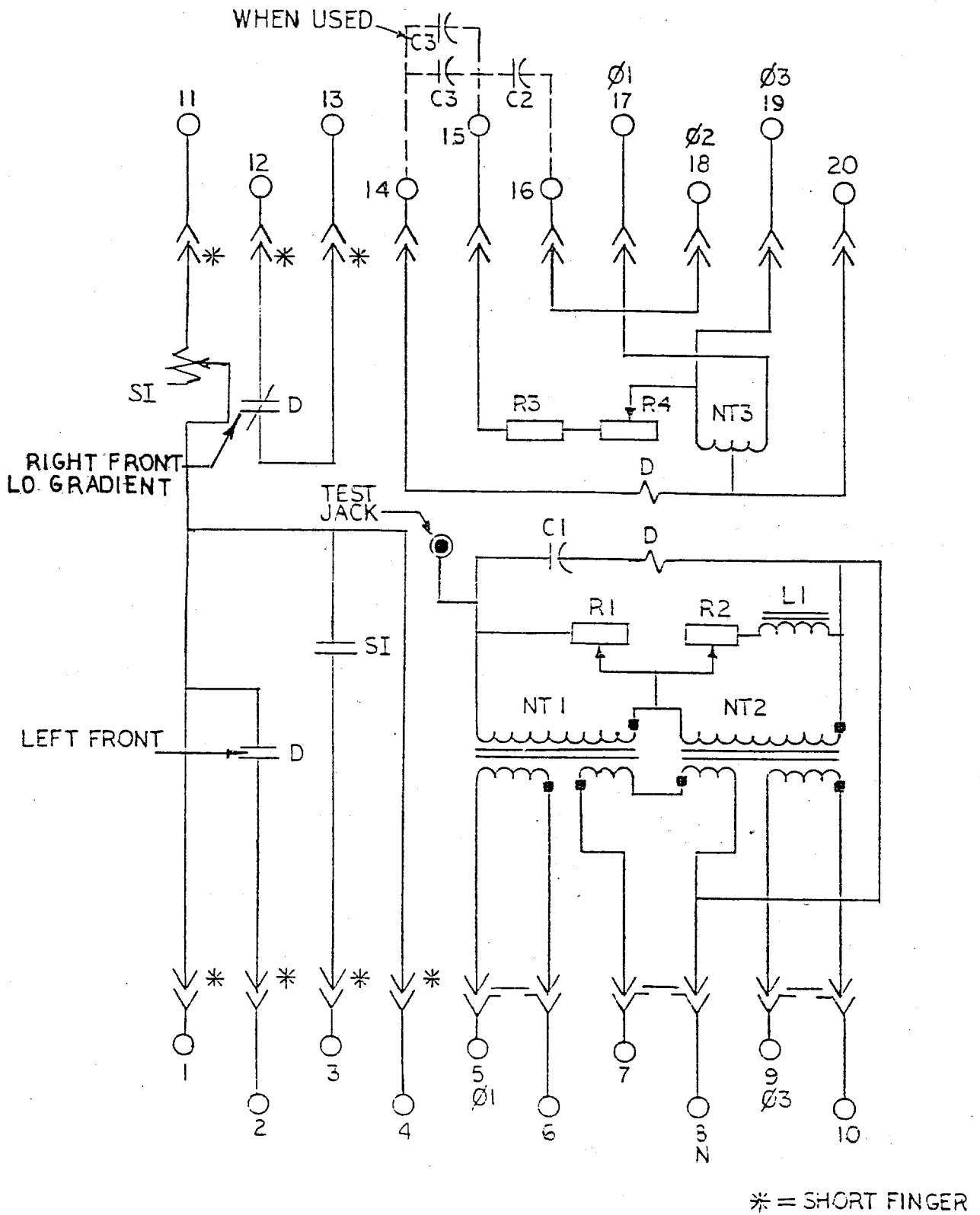


Figure 1 - Internal Connections Diagram (0285A9363-0)  
12CNP99AB(-)A RELAY