



INSTRUCTIONS

GEI-52528

ASSEMBLY OF OPTOCOM™ TO METER COVER/ENCLOSURE

GE Meter Business

THE OPTOCOM™ (COMMUNICATION PORT), CATALOG NO. 9936544 001, CONSISTS OF THE FOLLOWING PARTS WHICH ARE ILLUSTRATED IN FIGURE 1.

<u>PART NO.</u>	<u>DRAWING/CATALOG NO.</u>	<u>DESCRIPTION</u>	<u>QTY</u>
1	9936623 001	RECEPTACLE ASM.	1
2	9932987 002	OUTER GASKET	1
3	9932987 003	INNER GASKET	1
4	9934435 001	LEAD SUPPORT	1
5	4136123 014	NUT	1
6	8903633 235	WASHER	2

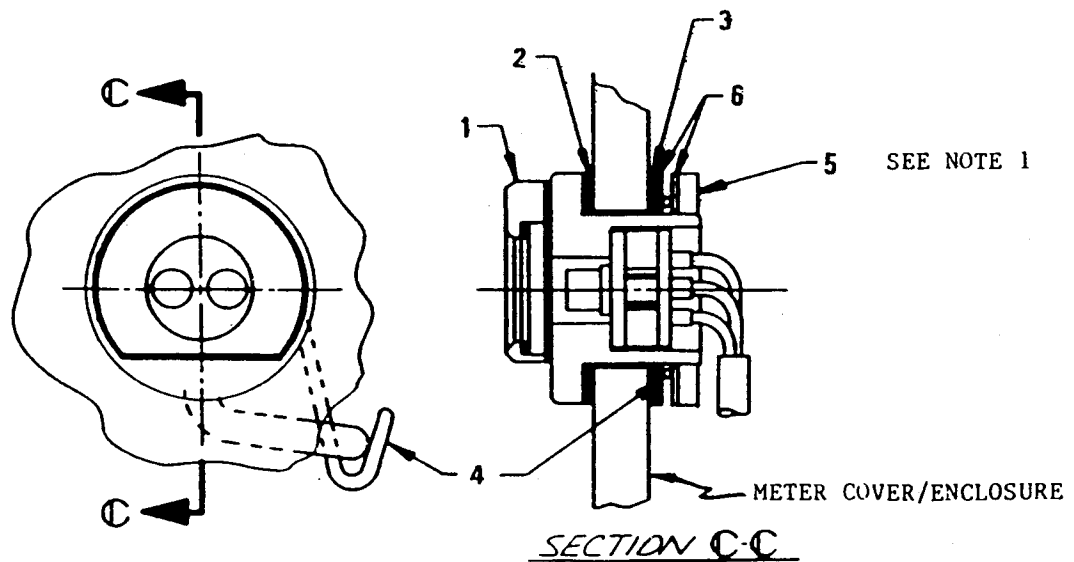


FIG. 1

NOTE: 1. MAINTAIN 10 TO 14 INCH-LBS. TORQUE WHEN TIGHTENING NUT (P5) TO RECEPTACLE ASM. (P1).