

INSTRUCTIONS

LAMP BURNOUT RELAYS

3S7505BR520A1—OPEN

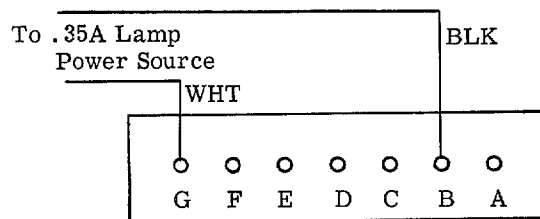
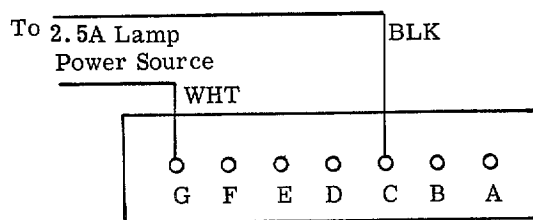
3S7505BR520A3—WEATHER RESISTANT, DUST-TIGHT

3S7505BR520A5—OIL AND COOLANT RESISTANT

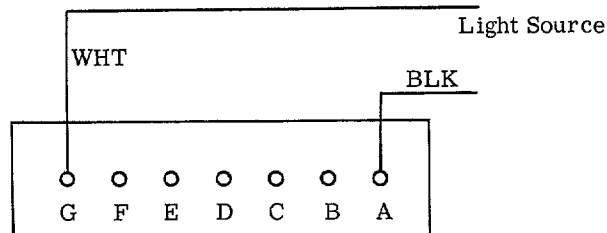
3S7505BR520A7—EXPLOSION PROOF*

The 3S7505BR520 Lamp Burnout Relay is connected in series with the lamp and its power source. Thus, when current flows through the circuit, the relay is energized. If the lamp should fail, current flow is interrupted and the relay drops out, activating an alarm or signal device. Similarly, failure of the power source will cause activation of the alarm or signal device.

Input Power: Light Source Transformer



Output Power to Lamp:



Connections to Light Source Transformer:

When using the low voltage supply from terminals on the 3S7505PG520 Photoelectric Relay, it is imperative that proper ground wire continuity be maintained as described below or non-operation and damage will result. It is recommended that black and white wires be used in order to observe the color coding shown on markings at the respective terminal boards. When light source transformers are used, white wire(s) should be attached to the "common" terminal and black wire(s) to the selected voltage terminal(s).

*This equipment is designed to meet NEMA requirements for hazardous locations, Class I, Group D and Class II, Groups E, F and G.

These instructions do not purport to cover all details or variations in equipment nor to provide for every possible contingency to be met in connection with installation, operation or maintenance. Should further information be desired or should particular problems arise which are not covered sufficiently for the purchaser's purposes, the matter should be referred to the General Electric Company.

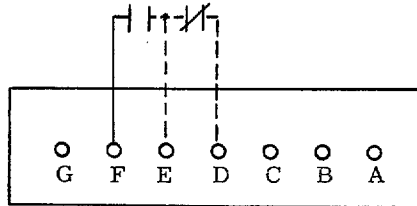
Light Source or Scanner	Supply Voltage Tap or Terminal	Effective Voltage Drop In BR520	Net Lamp Voltage	Connections on BR520			
				From Supply		Lamp Wires	
				Ground or Common (White)	Voltage (Black)	Ground (White)	Non-Grounded (Black)
3.5V, 2.5A Lamps:							
3S7505SL520	3.5	0.1	3.4				
3S7505SL521	3.1	0.1	3.0	Term G	Term C	Term G	Term A
3S7505SL530	2.7	0.1	2.6				
3S7505SC501							
2.5V, 0.35A Lamps:							
3S7505SL510	3.1**	0.6	2.5	Term G	Term B	Term G	Term A
3S7505SR501	2.7**	0.5	2.2				

**Note that the voltage tap used will not correspond to the lamp voltage because of drop in the BR520. When connected as above, actual lamp voltage will be as tabulated and lamp life will be as given for those voltages in the Light Source and Scanner instructions.

The 3S7505BR520 relay may be used for signaling or alarm with lamps other than the above (and with other devices) where current level lies either in the range 2.0 to 5.0 amperes or 0.3 to 0.75 amperes and drops to zero in the off (or "burnout") condition. The ungrounded side of the circuit should go in series with terminals (C) and (A) for the higher current rating or terminals (B) and (A) for the lower current.

Terminal (G) has no internal connection in the BR520 and may be used for convenient connection of the ground or common wire, as in the table above, or need not be connected, if desired. It is necessary to maintain correct common or ground wiring whether or not terminal (G) is used.

Output Contacts: SPDT
 Life at 115VAC: 100,000 cycles at 2A, 1,000 cycles at 5A.
 Contact Rating: 3A at 115V or 1A at 230V, resistive.



NOTE: Contacts are shown in de-energized position. Thus, if you expect to close a contact upon lamp failure you must use the N. C. contact.

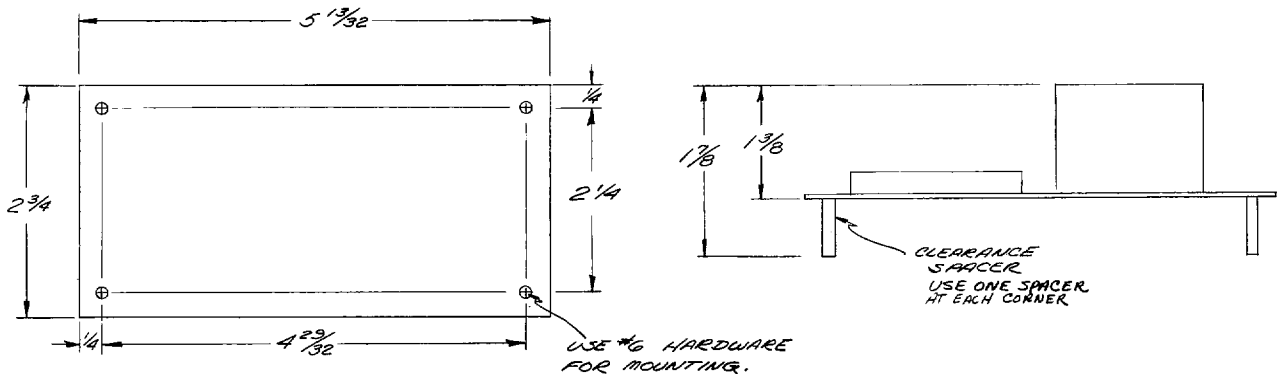


Figure 1. Outline of 3S7505BR520A1 Open Panel Only (44B204891)

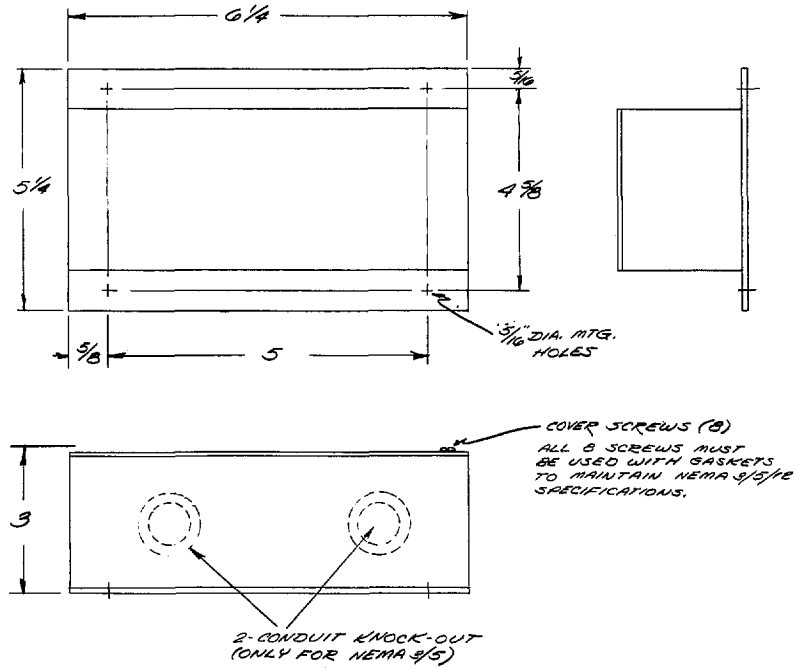


Figure 2. Outline of 3S7505BR520A3 and A5 in NEMA 3/5 or 12 Enclosure (44B204892)

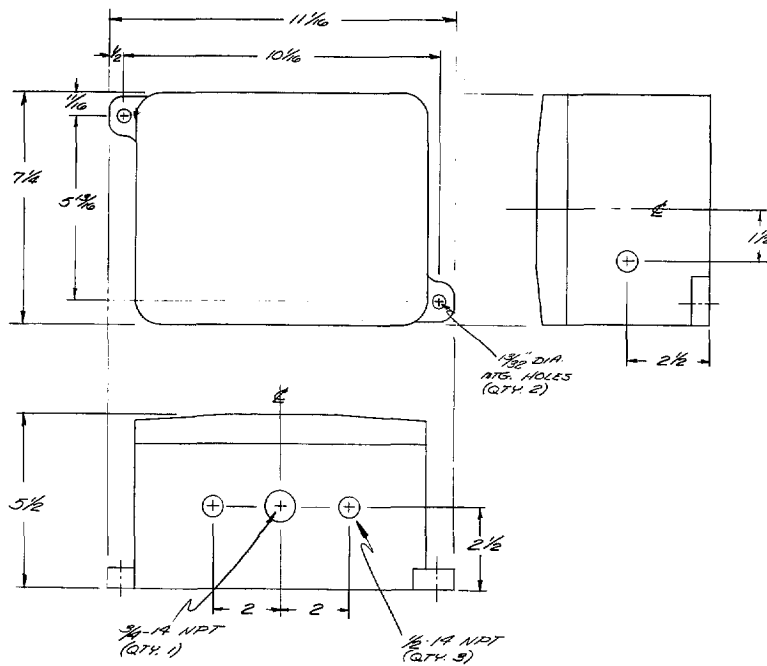


Figure 3. Outline of 3S7505BR520A7 in Explosion-Proof Enclosure (44B204870)

GENERAL ELECTRIC SALES OFFICES

READY TO ASSIST YOU . . . When You Have Electrical Problems . . . Need Further Information . . . Require Ordering Instructions

SALES OFFICE CODE KEY	
*	Industrial Equipment (including Agent and Distributor) Sales
†	Electric Utility Equipment Sales
‡	Marine and Defense Equipment Sales
§	Component Sales Operation

ALABAMA	
* † Birmingham 35205	2151 Highland Ave.
* † Mobile 36602	704 Government St.
ARIZONA	
* † ‡ Phoenix 85012	3550 N. Central Ave.
* † Tucson 85716	151 S. Tucson Blvd.
ARKANSAS	
* † North Little Rock 72204	1900 E. Washington
* † Pine Bluff	P. O. Box 1033
CALIFORNIA	
* † Fresno 93728	1532 N. West Ave.
* † Los Angeles 90054	212 N. Vignes St.
* † ‡ Los Angeles 90005	3325 Wilshire Blvd.
* † Oakland 94612	409 Thirteenth St.
* † Redwood City 94063	55 Veterans Blvd.
* † Sacramento 95816	2407 "J" St.
* † San Bernardino	
* † ‡ 337 N. Riverside Ave., Rialto, Cal.	
* † ‡ San Diego 92103	2560 First Ave.
* † ‡ San Francisco 94106	235 Montgomery St.
* † San Jose 95112	2155 So. First St.
COLORADO	
* † ‡ Denver 80206	201 University Blvd.
CONNECTICUT	
* † Hartford 06105	764 Asylum Ave.
* † New Haven 06510	129 Church St.
DISTRICT OF COLUMBIA	
* † ‡ Washington 20005	777—14th St., N.W.
FLORIDA	
* † ‡ Cocoa Beach 32931	(Cape Canaveral Office) 1325 N. Atlantic Ave.
* † ‡ Coral Gables 33146	250 Bird Road
* † Miami 33131	25 S.E. Second Ave.
* † Jacksonville 32202	1901 Hill St.
* † Pensacola 32503	First Bank Bldg.
* † Tampa 33609	2106 South Lois Ave.
GEORGIA	
* † ‡ Atlanta 30309	1860 Peachtree Rd., N.W.
* † Macon	682 Cherry St.
* † Savannah 31405	5002 Paulsen St.
IDAHO	
* † Boise 83706	1524 Idaho St.
ILLINOIS	
* † ‡ Chicago 60680	840 S. Canal St.
* † Peoria 61611	2008 N.E. Perry Ave.
* † Rockford 61108	4223 East State St.
* † Springfield 62701	607 E. Adams St.
INDIANA	
* † ‡ Evansville 47714	2709 Washington Ave.
* † ‡ Fort Wayne 46807	3606 S. Calhoun St.
* † ‡ Indianapolis 42407	3750 N. Meridian St.
* † ‡ South Bend 46601	430 N. Michigan St.
IOWA	
* † Cedar Rapids 52401	210 Second St., S.E.
* † Davenport 52805	
* † ‡ 1039 State St., Bettendorf, Iowa	
* † Des Moines 50310	3839 Merle Hay Rd.
* † ‡ Sioux City 51101	520 Pierce St.
KANSAS	
* † Wichita 67211	820 E. Indianapolis Ave.
KENTUCKY	
* † Lexington 40508	628 E. Main St.
* † ‡ Louisville 40218	2300 Meadow Dr.

CANADA: Canadian General Electric Company, Ltd., Toronto

LOUISIANA	
* † Alexandria	720 Murray St.
* † Baton Rouge 70815	633 Oak Villa Blvd.
* † Lake Charles	422 Seventh St.
* † ‡ New Orleans 70112	837 Gravier St.
* † ‡ Shreveport 71101	206 Beck Bldg.
* † West Monroe 71291	500 Natchitoches St.
MAINE	
* † Augusta	152 State St.
* † Bangor 04402	77 Central St.
MARYLAND	
* † ‡ Baltimore 21201	111 Park Ave.
* † Hagerstown	49 East Franklin St.
MASSACHUSETTS	
* † ‡ Boston 02117	31 St. James Ave.
* † Springfield 01103	120 Maple St.
* † Worcester 01605	288 Grove St.
MICHIGAN	
* † ‡ Detroit 48207	700 Antoinette St.
* † Flint 48503	316½ W. Court St.
* † Grand Rapids 8	2821 Madison Ave., S.E.
* † Jackson 49201	120 W. Michigan Ave.
* † Kalamazoo	927 S. Burdick St.
* † Lansing 48933	501 Bank of Lansing Bldg.
* † Saginaw 48607	1008 Second National Bank Bldg.
MINNESOTA	
* † Duluth 55802	1010 Fidelity Bldg.
* † Fergus Falls	Norby Bldg., Room 4
* † ‡ Minneapolis 55402	12 S. Sixth St.
MISSISSIPPI	
* † Gulfport 39502	P.O. Box 33
* † Jackson 39201	203 W. Capitol St.
MISSOURI	
* † Joplin 64802	212½ W. Fifth St.
* † ‡ Kansas City 64105	106 W. Fourteenth St.
* † ‡ St. Louis 63101	818 Olive St.
MONTANA	
* † Billings 59101	303 N. Broadway
* † Butte 59701	103 N. Wyoming St.
NEBRASKA	
* † Omaha 68102	409 S. Seventeenth St.
NEVADA	
* † Las Vegas	1711 S. 8th St.
NEW HAMPSHIRE	
* † Manchester 03104	1662 Elm St.
NEW JERSEY	
* † ‡ East Orange 07017	26 Washington St.
NEW MEXICO	
* † Albuquerque 87108	120 Madeira Dr., N.E.
NEW YORK	
* † ‡ Albany 12201	8 Colvin Ave.
* † ‡ Binghamton 13902	19 Chenango St.
* † ‡ Buffalo 14202	625 Delaware Ave.
* † ‡ New York 10022	570 Lexington Ave.
* † ‡ Rochester 14604	89 East Ave.
* † ‡ Syracuse 13201	3532 James St.
* † ‡ Utica 1	1001 Broad St.
* † ‡ Waverly	P.O. Box 308
NORTH CAROLINA	
* † ‡ Charlotte 28202	129 W. Trade St.
* † Greensboro	801 Summit Ave.
* † Raleigh 27602	16 W. Martin St.
NORTH DAKOTA	
* † Bismarck 58501	418 Rosser Ave.
* † Fargo 58101	802 S. Park Drive

OHIO	
* † Akron 44303	665 W. Market St.
* † ‡ Canton 44703	515 Third St., N.W.
* † ‡ Cincinnati 45206	2621 Victory Pkwy.
* † ‡ Cleveland 44104	4966 Woodland Ave.
* † ‡ Columbus 15	395 E. Broad St.
* † ‡ Dayton 45402	11 W. Monument Bldg.
* † ‡ Dayton 45402	118 W. First St.
* † ‡ Mansfield 44902	137 Park Ave., West
* † ‡ Toledo 43604	420 Madison Ave.
* † ‡ Youngstown 44507	272 E. Indianola Ave.
OKLAHOMA	
* † Oklahoma City 73102	119 N. Robinson Ave.
* † Tulsa 74114	Columbia Bldg., 2651 E. 21st St.
OREGON	
* † Eugene 97401	1170 Pearl St.
* † Medford	107 E. Main St.
* † ‡ Portland 97210	2929 N.W. 29th Ave.
PENNSYLVANIA	
* † Allentown 18102	732 North 16th St.
* † Erie 16501	1001 State St.
* † ‡ Johnstown	841 Oak St.
* † ‡ Philadelphia 19102	3 Penn Center Plaza
* † ‡ Pittsburgh 15222	
* † ‡ Pittsburgh 15228	The Oliver Bldg., Mellon Sq.
* † ‡ Pittsburgh 15228	733 Washington Rd.
* † York 17403	56 N. Harrison St.
SOUTH CAROLINA	
* † Columbia 29201	
* † Greenville 29602	301 Palmette State Life Bldg. 106 W. Washington St.
TENNESSEE	
* † ‡ Chattanooga 37402	832 Georgia Ave.
* † ‡ Kingsport 37642	322 Commerce St.
* † ‡ Knoxville 37921	1301 Hannah Ave., N.W.
* † ‡ Memphis 38104	1420 Union Ave.
* † ‡ Nashville 37203	1717 W. End Bldg.
* † ‡ Oak Ridge	253 Main St., East
TEXAS	
* † Abilene 79601	442 Cedar St.
* † Amarillo 79101	303 Polk St.
* † Beaumont 77704	1385 Calder Ave.
* † Corpus Christi 78401	205 N. Chaparral
* † ‡ Dallas 75222	8101 Stemmons Freeway
* † El Paso 79901	215 N. Stanton St.
* † Fort Worth 76102	408 W. Seventh St.
* † ‡ Houston 77027	4219 Richmond Ave.
* † Lubbock 79404	3302 Avenue "A"
* † Midland	228 Wilkerson-Foster Bldg.
* † San Antonio 78204	419 S. Main Ave.
UTAH	
* † ‡ Salt Lake City 84110	200 S. Main St.
VERMONT	
* † Rutland	38½ Center St.
VIRGINIA	
* † Newport News 23601	
* † Richmond 23230	P.O. Box 1038, 311 Main St.
* † Roanoke 24005	5001 W. Broad St. 920 S. Jefferson St.
WASHINGTON	
* † Pasco	824 W. Lewis St.
* † ‡ Seattle 98104	710 Second Ave.
* † Spokane 99220	East 1805 Trent Ave.
WEST VIRGINIA	
* † Bluefield	704 Bland St.
* † Charleston 25328	306 MacCorkle Ave., S.E.
* † Fairmont 26555	310 Jacobs Bldg.
* † Wheeling	40 Fourteenth St.
WISCONSIN	
* † ‡ Appleton	510 W. College Ave.
* † ‡ Madison 53703	340 W. Washington Ave.
* † ‡ Milwaukee 53233	940 W. St. Paul Ave.

HAWAII: American Factors, Ltd., P.O. Box 3230, Honolulu 96801

GENERAL ELECTRIC SERVICE SHOPS

WHEN YOU NEED SERVICE . . . These G-E service shops will repair, recondition, and rebuild your electric apparatus. The facilities are available day and night, seven days a week, for work in the shops or on your premises. Latest factory methods and genuine G-E renewal parts are used to maintain peak performance of your equipment. For full information about these services, contact your nearest service shop or sales office.

ALABAMA		*Denotes Aircraft Service Shops	
Birmingham 35211, P.O. Box 3687	7 — 18th St., S.W.	Toledo 43605	405 Dearborn Ave.
ARIZONA		Youngstown 44507	272 E. Indianola Ave.
(Phoenix) Glendale	4911 West Colter St.	OREGON	
CALIFORNIA		Portland 97210	2727 N.W. 29th Ave.
Los Angeles 90001	6900 Stanford Ave.	PENNSYLVANIA	
(Los Angeles) Ontario		Allentown 18103	668 E. Highland St.
Ontario International Airport		Johnstown	841 Oak St.
Oakland 94608	3400 Wood St.	Philadelphia 19124	1040 E. Erie Ave.
Sacramento 95814	99 North 17th St.	(Pittsburgh) Homestead 15230	Box 308, RD 1, Buttermilk Hollow Rd.
San Francisco 94103	1098 Harrison St.	York 17403	54 N. Harrison St.
COLORADO		TEXAS	
Denver 80205	3353 Larimer St.	Corpus Christi	115 Waco St.
CONNECTICUT		Dallas 75235	3202 Manor Way
(Southington) Plantsville	370 Atwater St.	Houston 77020	5534 Harvey Wilson Drive
FLORIDA		Midland	704 S. Johnston St.
Jacksonville 32203		UTAH	
(Miami) Hialeah	P.O. Box 2932, 2020 W. Beaver St. 1062 E. 28th St.	Salt Lake City 84104	301 S. 7th West St.
Tampa 33601	P.O. Box 1245	VIRGINIA	
GEORGIA		Richmond 23224	1403 Ingram Ave.
(Atlanta) Chamblee		Roanoke	P.O. Box 1327, 115 Albermarle Ave., S.E.
5035 Peachtree Industrial Blvd.		WASHINGTON	
ILLINOIS		Seattle 98134	3422 First Ave., S.
Chicago 60632	4360 W. 47th St.	*Seattle 98108	220 Dawson St.
INDIANA		Spokane 99206	E. 4323 Mission St.
Ft. Wayne 46803	1731 Edsall Ave.	WEST VIRGINIA	
Indianapolis 22	1740 W. Vermont St.	Charleston 28	306 MacCorkle Ave.
IOWA		WISCONSIN	
(Davenport) Bettendorf	1025 State St.	Appleton 54910	Midway Industrial Area P.O. Box 83, County Trunk P
KANSAS		Milwaukee 3	940 W. St. Paul Ave.
(Strother) Arkansas City	G.E. Co., P.O. Box 797		