



INSTRUCTIONS

GEK-24943

LOGIC RELAY, 193X265A_G04

These instructions do not purport to cover all & fails or variations in equipment nor to provide for every possible contingency to be met in connection with installation, operation or maintenance. Should further information be desired or should particular problems arise which are not covered sufficiently for the purchaser's purposes, the matter should be referred to General Electric Company.

GENERAL  **ELECTRIC**

Instruction

Logic Relay, 193X265A_G04

1.0 GENERAL

This instruction provides the basic information required to checkout the Logic Relay card, Refer to the system diagrams for information on how this card is used in the overall system.

2.0 DESCRIPTION

This card contains four relays, each relay is 4PDT with a **115V** AC, **50/60** Hz coil.

2.01 A front edge indicator is provided for each relay which illuminates when current is flowing thru the coils.

2.02 The relay contacts are rated 1 amp resistive, either 115V AC or 20V DC.

2.03 Pilot duty rating for 115V AC coils is **.8** amp inrush, and **.18** amps holding current,

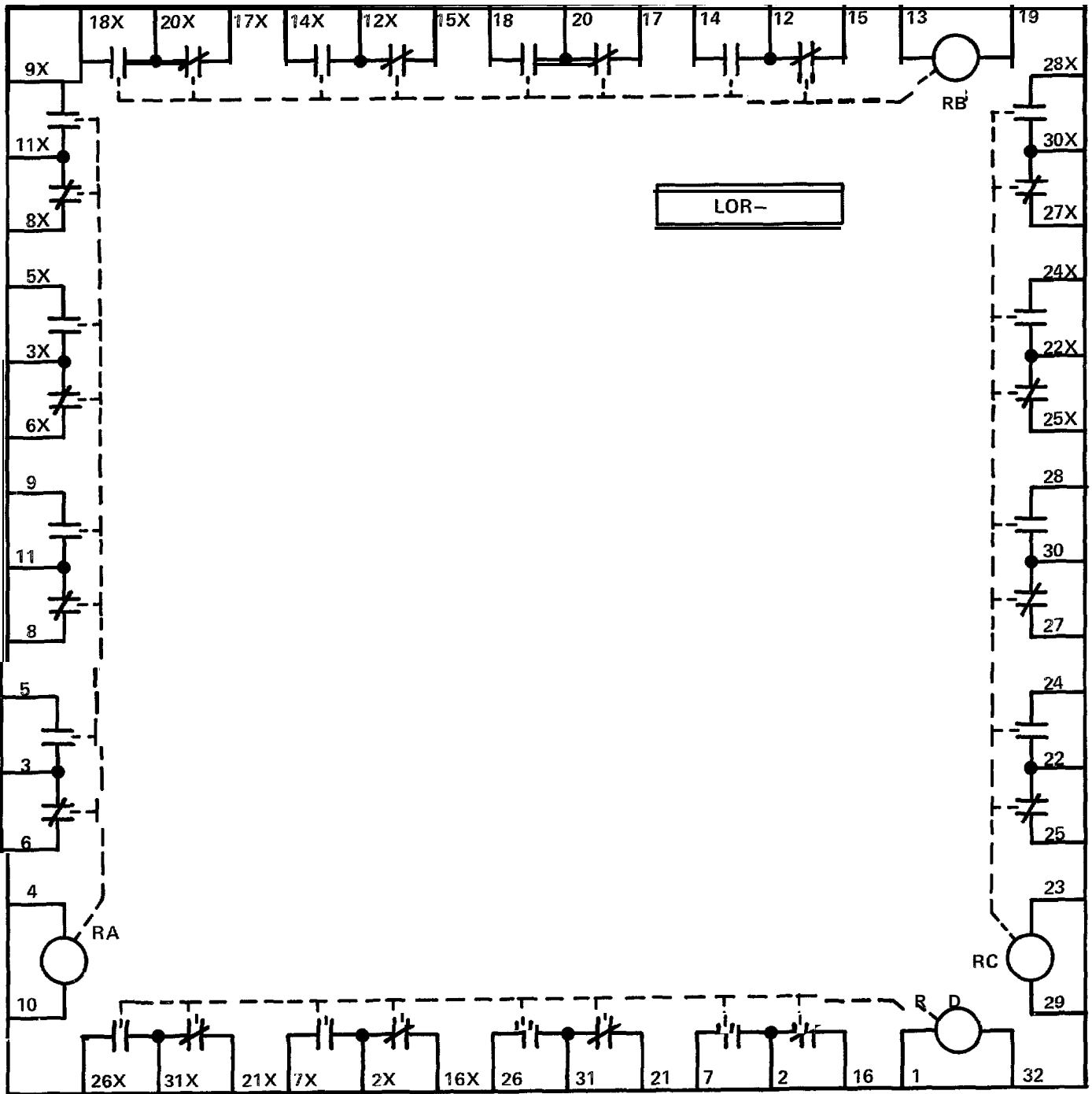
2.04 This card is not suitable for switching dry circuits.

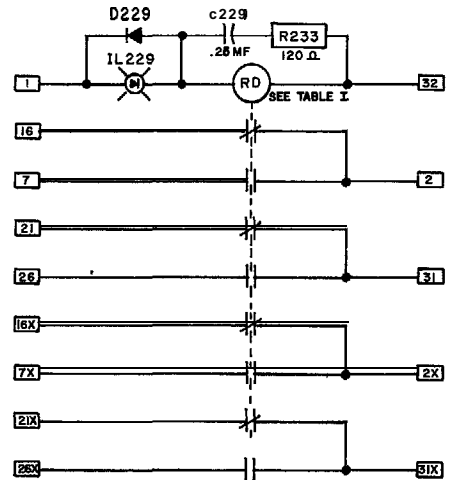
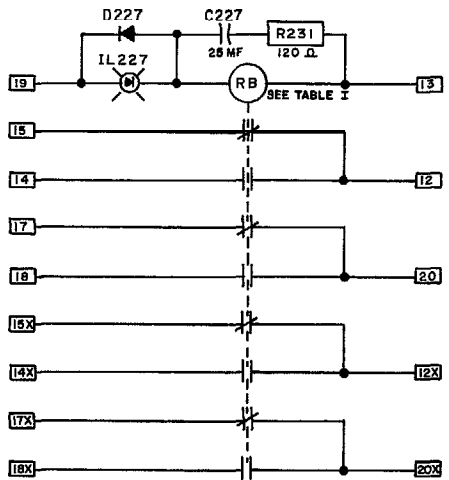
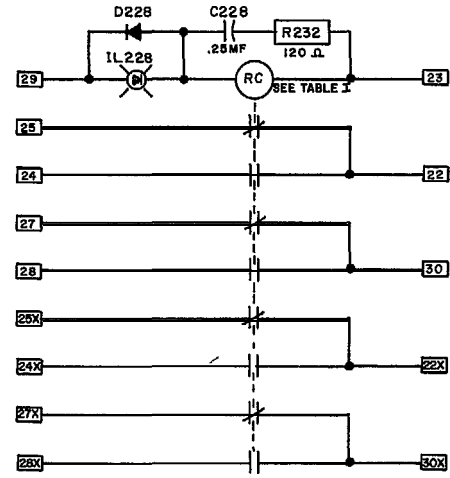
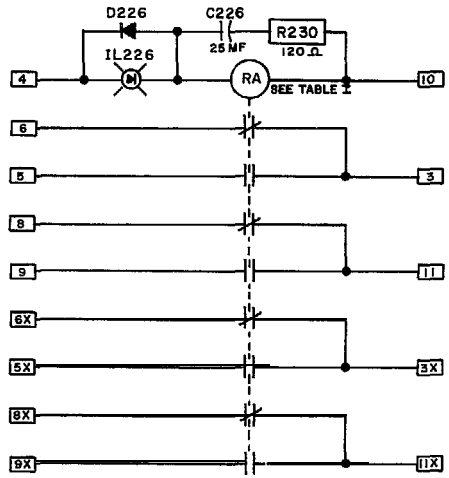
3.0 START-UP/CHECKOUT

Verify that the relays pick up and drop out at the appropriate time.

4.0 TROUBLESHOOTING

Verify the contacts are opening and closing properly when power is applied to the coil.





NOTES

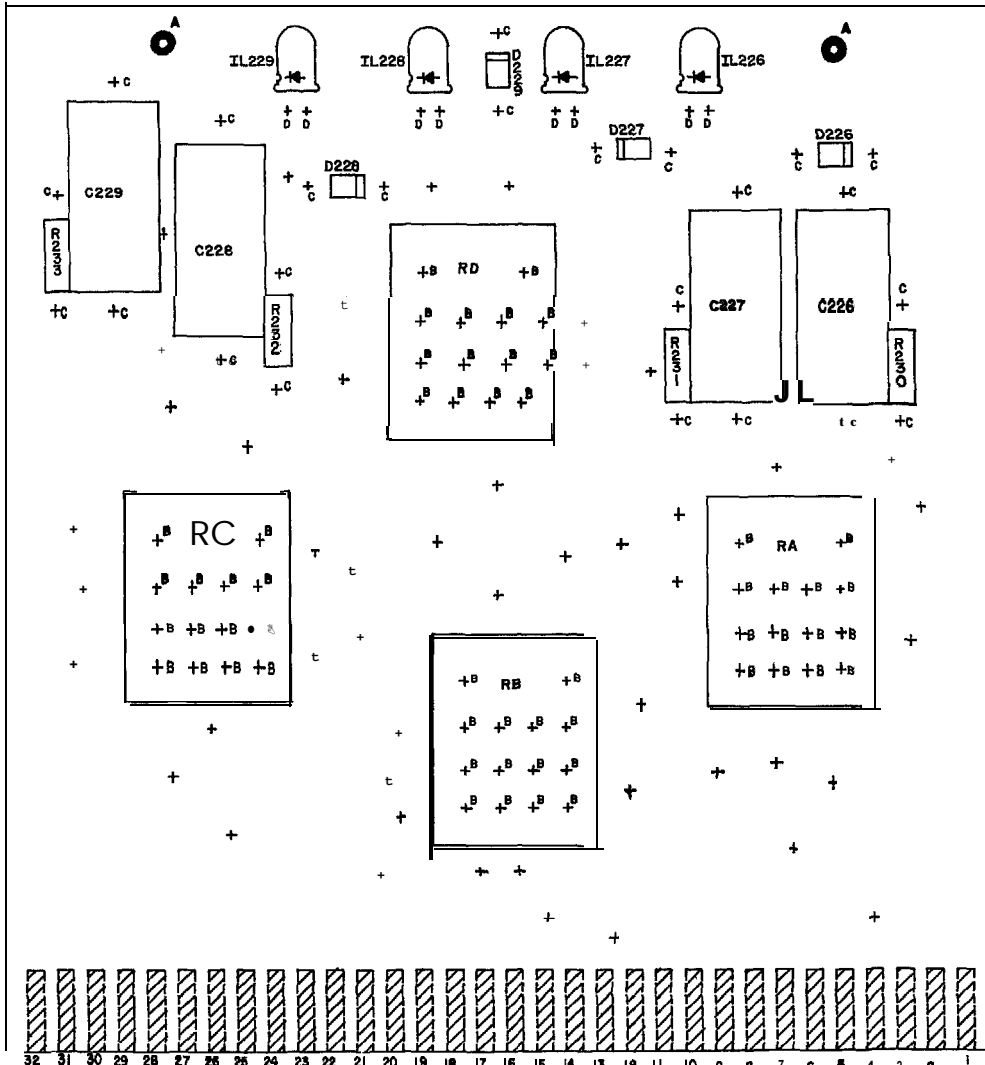
TABLE I

CARD CATALOG NO	QTY. OF RELAYS	RELAY NOMENCLATURE	TAB CONNECTION
193X265AAG02	2	RA, RB	SEE SCHEMATIC ABOVE FOR TABS ASSOCIATED WITH RELAY
193X265AAG04	4	RA, RB, RC, RD	NOMENCLATURE

HOLE TABULATION

ALL HOLES .032 DIA. EXCEPT THE HOLES TABULATED BELOW

LOC.	DIA.	QUAY
A	.157	2
B	.062	56
c	.052	2 4
D	0.40	8



NOTES

1. INDICATED TAB NUMBERS CORRESPOND TO MATCHING RECEPTACLE NUMBERS
2. CROSS HATCHED TABS INDICATES TABS USED.
3. CARD SIZE, 5 500⁺⁰⁰⁰_{-.015} X 5 130⁺⁰⁰²_{-.008}
4. THIS CARD HAS GOLD PLATED TABS ON BOTH SIDES. TASS I THRU 32 ARE LOCATED ON THE REVERSE SIDE. TABS IX THRU 32X ARE LOCATED ON THE COMMENT SIDE OF THE CARD. TAB IX IS OPPOSITE TAB I AND ETC. THE TAB NUMBERS SHOWN ARE THOSE USED ON THIS CARD.
5. SEE TABLE I ON SH.1 THIS DWS. FOR RELAY SUPPLIED WITH GROUPS.

GROUP	KEY LOCATIONS				
G02	7-8	18-19			
G04	4-5	7-8	13-14	18-19	

2X	36A352961AA005	36A352962AA005	2	
SCALE	REAR ETCHED BOARD DWG.	FRONT ETCHED BOARD DWG.	FRONT	BACK
			SPACE	UNIT REQUIREMENT

32 31 30 29 28 27 26 25 24 23 22 21 20 19 18 17 16 15 14 13 12 11 10 9 8 7 6 5 4 2 2 1
 SEE NOTE 1B2
 31X 30X 28X 27X 2.X 22X 24X 22X 21X 20X 18X 17X 16X 15X 14X 12X 11X 9X 8X 7X 6X 5X 3X 2X ← SEE NOTE 4

GENERAL ELECTRIC COMPANY -DIRECT CURRENT MOTOR & GENERATOR PRODUCTS DEPARTMENT
ERIE, PENNSYLVANIA 16531



GEK-24943 (4/79) 2M (F)

GENERAL ELECTRIC COMPANY
SPEED **VARIATOR** PRODUCTS OPERATION
ERIE, PENNSYLVANIA 16531

GENERAL  ELECTRIC

GEK-24943 (12/85) 1M (P)