

AUXILIARY RELAY 19D427620G3

DESCRIPTION

The Auxiliary Relay, 19D427620G3, is used in conjunction with the CB10A Checkback Equipment. It provides isolation between the Checkback shelf and the associated PLC equipment through use of three mercury-wetted relays. These relays have separate inputs and outputs. Three LED indicators show which relay is energized.

OPERATION

Refer to the Schematic Diagram located in this instruction. A positive input signal applied to the INPUT of relay #1 or to INPUT #1 of relay #2 will switch the associated input amplifier ON. This switches on the relay driver Q1 or Q2, energizing K1 or K2. A positive input to INPUT #2 of relay #2 will override an INPUT #1 of relay #2 and lock the relay #2 input amplifier in the OFF position.

Relay K3 is energized directly by application of 125 VDC (Jumper "A" in the 1-2 position) or 48 VDC (Jumper "A" in the 2-3 position) to relay #3 INPUT #1 (+) and INPUT #2 (-). An external resistor is used for 250 VDC applications.

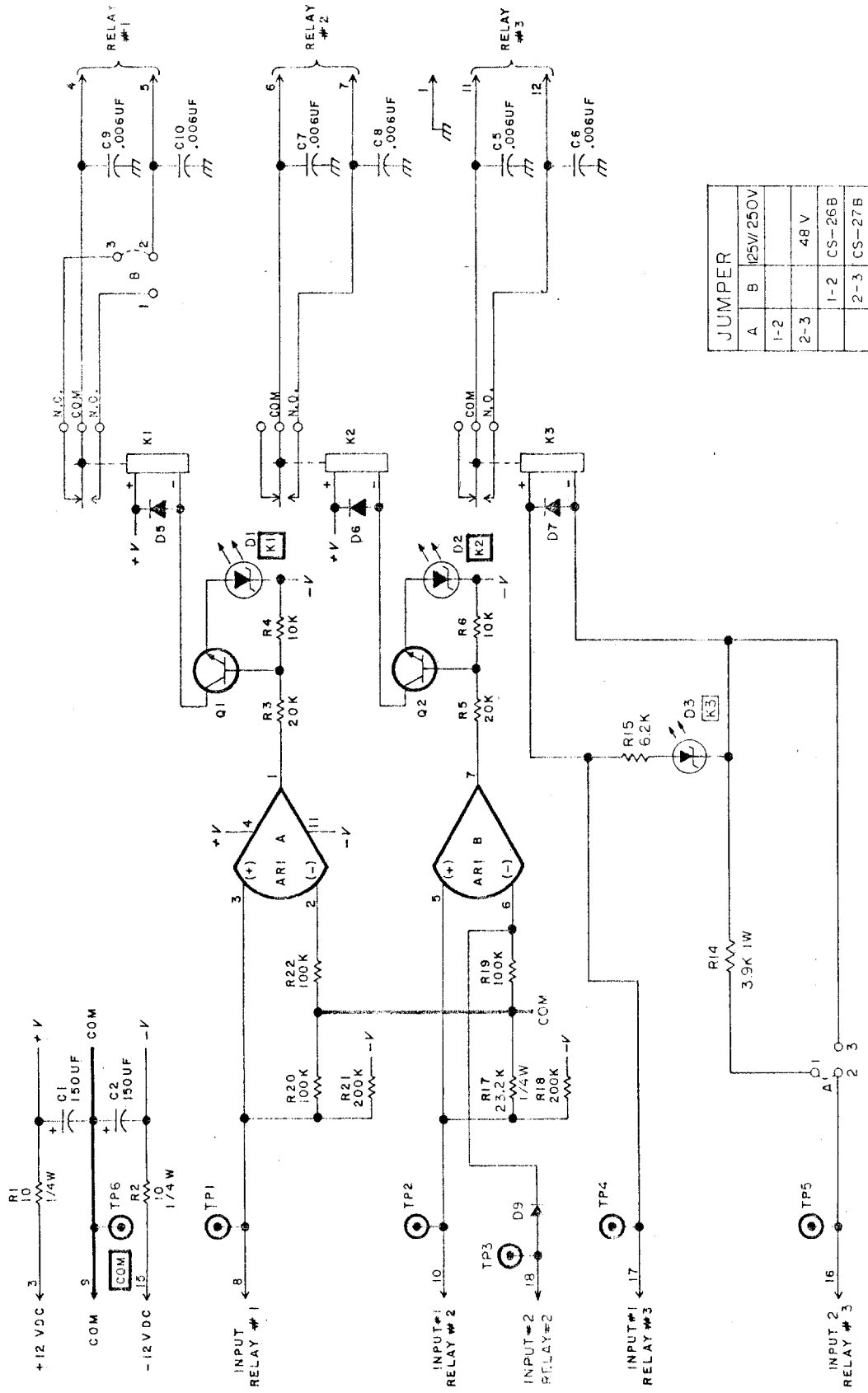
NOMINAL OPERATING CHARACTERISTICS

1. Input level

a.	Relay #1 INPUT,	Relay #2 INPUT #1,	+ 10 VDC = ON
b.		Relay #2 INPUT #2,	+ 10 VDC = OFF
c.	Relay #3	Jumper "A" 1-2	125 VDC
		Jumper "A" 2-3	48 VDC
2. Output contacts: 100 VA
3. Relay operate time: 2 milliseconds max.

ITEM NO.	IDENTIFICATION NUMBER	DESCRIPTION			
			1	2	3
	19D427620G003 REV#02	CHK-BACK AUX.			
AR1	0246A9351P224	OP. AMP. LM224			1
C1	5496267P012	CAPACITOR			1
C2	5496267P012	CAPACITOR			1
C5	0246A9028P682	CAP 6800PF CERAMIC RV#1			1
C6	0246A9028P682	CAP 6800PF CERAMIC RV#1			1
C7	0246A9028P682	CAP 6800PF CERAMIC RV#1			1
C8	0246A9028P682	CAP 6800PF CERAMIC RV#1			1
C9	0246A9028P682	CAP 6800PF CERAMIC RV#1			1
C10	0246A9028P682	CAP 6800PF CERAMIC RV#1			1
D1	0246A9418P406	LED, RED			1
D2	0246A9418P406	LED, RED			1
D3	0246A9418P406	LED, RED			1
D5	0246A9401P4148	DIODE JAN 1N4148			1
D6	0246A9401P4148	DIODE JAN 1N4148			1
D7	4037822P001	RECTIFIER - 1N4004G			1
D9	0246A9401P4148	DIODE JAN 1N4148			1
K1	19B209439P001	REL			1
K2	19B209439P001	REL			1
K3	19B209439P001	REL			1
Q1	19A115300P002	TSTR NPN 60V 2N3053			1
Q2	19A115300P002	TSTR NPN 60V 2N3053			1
R1	0246A9134P10R0	RES 10 OHM 1/4W 1% MTL			1
R2	0246A9134P10R0	RES 10 OHM 1/4W 1% MTL			1
R3	0246A9102P203	RES 20K .5W 5%			1
R4	0246A9102P103	RES 10KOHM .5W 5%			1
R5	0246A9102P203	RES 20K .5W 5%			1
R6	0246A9102P103	RES 10KOHM .5W 5%			1
R14	19A116479P2392K	RES 3.9KOHM 10% 2W FLPRF			1
R15	0246A9103P622	RES 6.2K 1W 5%			1
R17	0246A9134P2322	RES 23.2KOHM 1/4W 1% MTL			1
R18	0246A9102P204	RESISTOR			1
R19	0246A9102P104	RES 100K .5W 5%			1
R20	0246A9102P104	RES 100K .5W 5%			1
R21	0246A9102P204	RESISTOR			1
R22	0246A9102P104	RES 100K .5W 5%			1

AUXILIARY RELAY-PARTS LIST - 19D427620G3

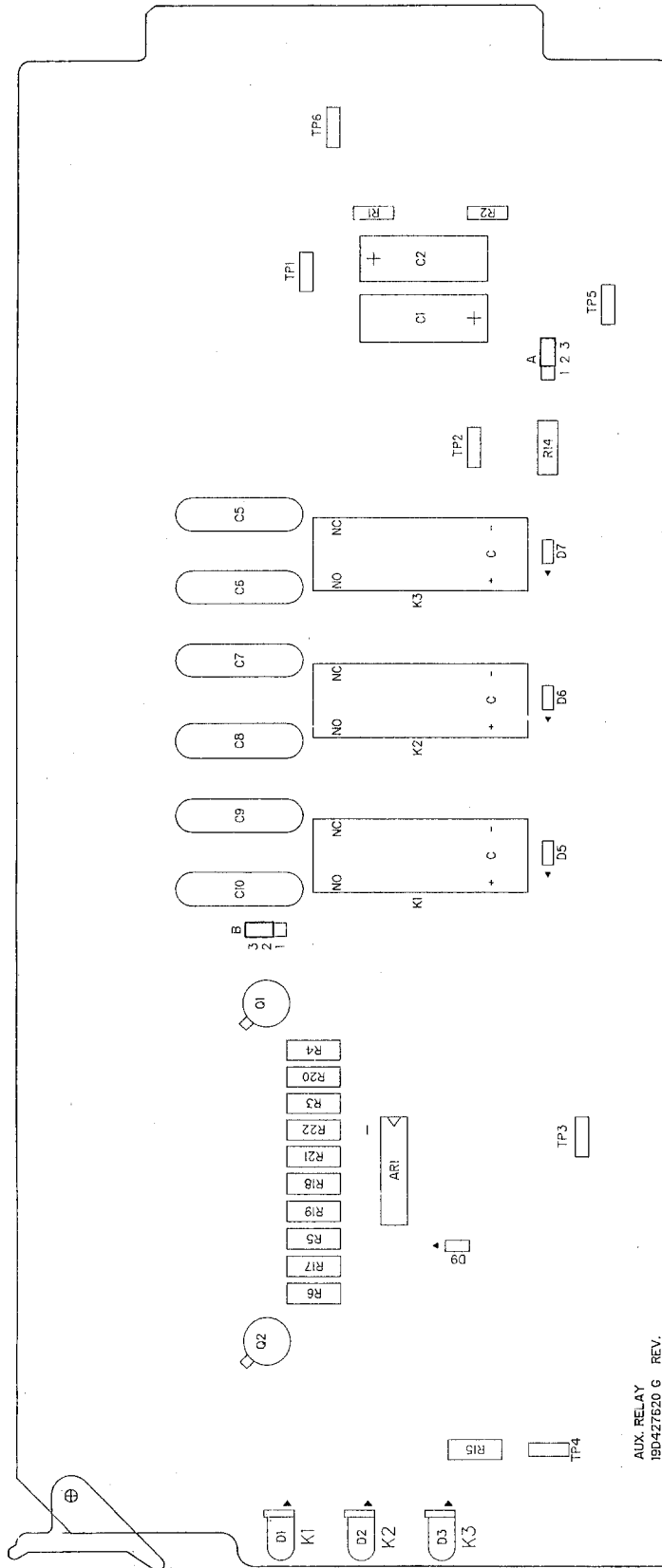


AUX RELAY
19D427620 G3, G103

NOTES:

ALL RESISTORS ARE 1/2 WATT UNLESS OTHERWISE SPECIFIED AND RESISTOR VALUES IN OHMS UNLESS FOLLOWED BY K=1000 OHMS OR MEG=1,000,000 OHMS. CAPACITOR VALUES IN PICOFARADS (EXCEPT MICROFARADS) UNLESS FOLLOWED BY UF= MICROFARADS. INDUCTANCE VALUES IN MICROHENRYS UNLESS FOLLOWED BY MH= MILLIHENRYS OR H=HENRYS.

SCHEMATIC DIAGRAM-19C335562 [2]



AUX. RELAY
19D427620 G REV.

AUXILIARY RELAY OUTLINE - 19D427620 SH.3 [1]