



INSTRUCTIONS

GEK-34108C
Insert Booklet GEI-74657
Supersedes GEK-34108B

AUXILIARY RELAY

TYPE HAA

12HAA99AD(-)A
and
MODEL NO. 0208A8365

INTRODUCTION

These instructions plus those included in GEI-74657 form the instructions for special relays 12HAA99AD(-)A and 0208A8365.

DESCRIPTION

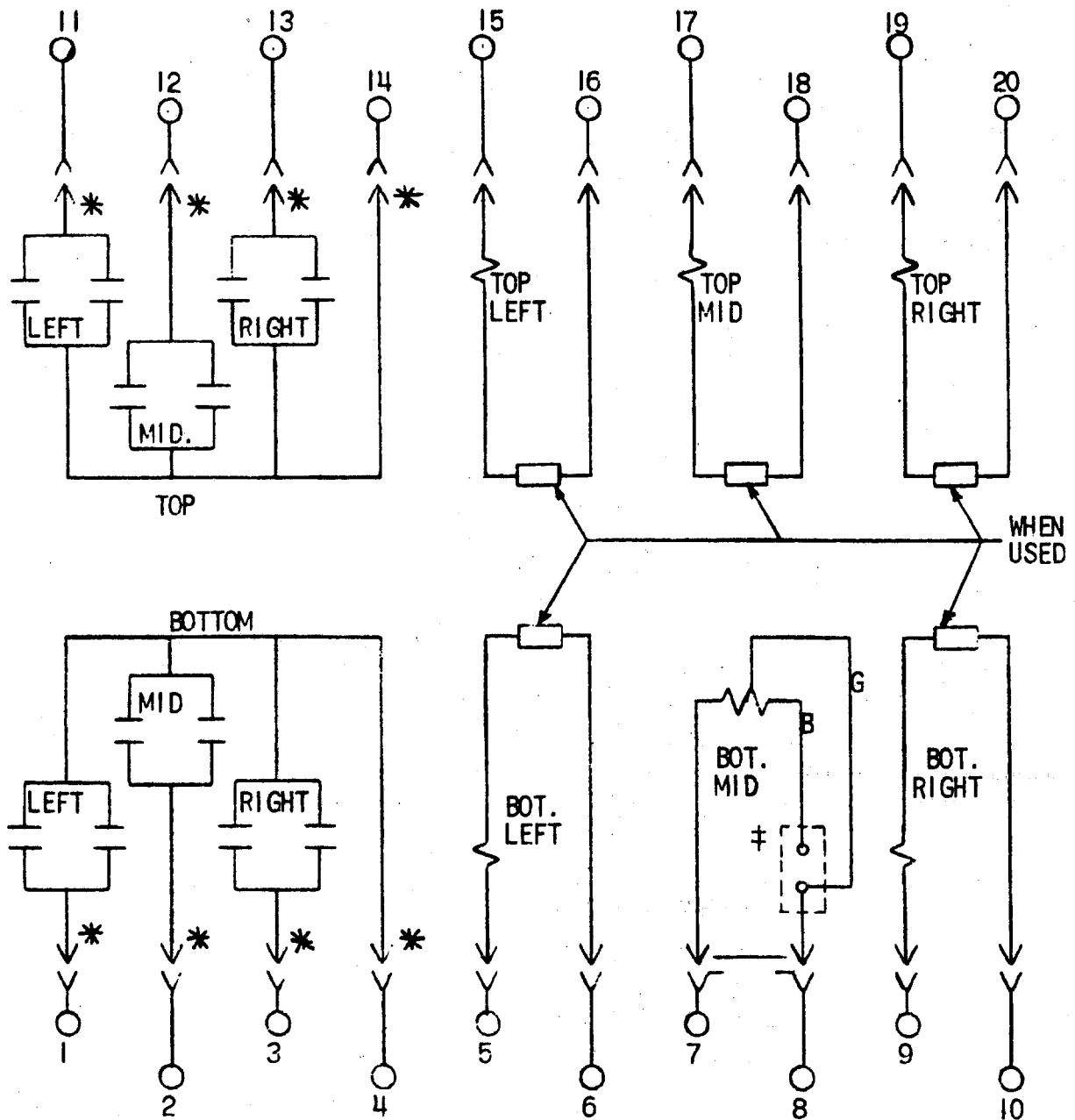
Special relays 12HAA99AD(-)A and 0208A8365 are similar to 12HAA12B except they consist of five voltage rated and one current rated target and seal-in unit.

MODEL NO.	RATINGS	
	VOLTAGE UNIT	CURRENT UNIT
12HAA99AD002A and 0208A8365G-2	48 VDC	0.6/2 AMP
12HAA99AD001A and 0208A8365G-1	125 VDC	0.6/2 AMP
12HAA99AD003A	250 VDC	0.6/2 AMP

Fig. 1 of this supplement shows the internal connections.

These instructions do not purport to cover all details or variations in equipment nor to provide for every possible contingency to be met in connection with installation, operation or maintenance. Should further information be desired or should particular problems arise which are not covered sufficiently for the purchaser's purposes, the matter should be referred to the General Electric Company.

To the extent required the products described herein meet applicable ANSI, IEEE and NEMA standards; but no such assurance is given with respect to local codes and ordinances because they vary greatly.



‡ CONNS. SHOWN FOR 2.0 AMP RATING INTERCHANGE
BLACK & GREEN LEADS FOR LOWER AMP. RATING.

B BLACK LEAD

G GREEN LEAD

* SHORT FINGERS

Fig. 1 (0246A2284-0) Internal Connections for HAA
Special Relays 12HAA99AD(-)A and 0208A8365