



INSTRUCTIONS

GEK-45473
Insert Booklet-GEI-74657

AUXILIARY RELAY

TYPE HAA

MODEL 12HAA99AB(-)A

INTRODUCTION

This supplement plus GEI-74657 form the Instructions for special relay model HAA99AB(-)A.

DESCRIPTION

Special relay HAA99AB is similar to HAA13B except:

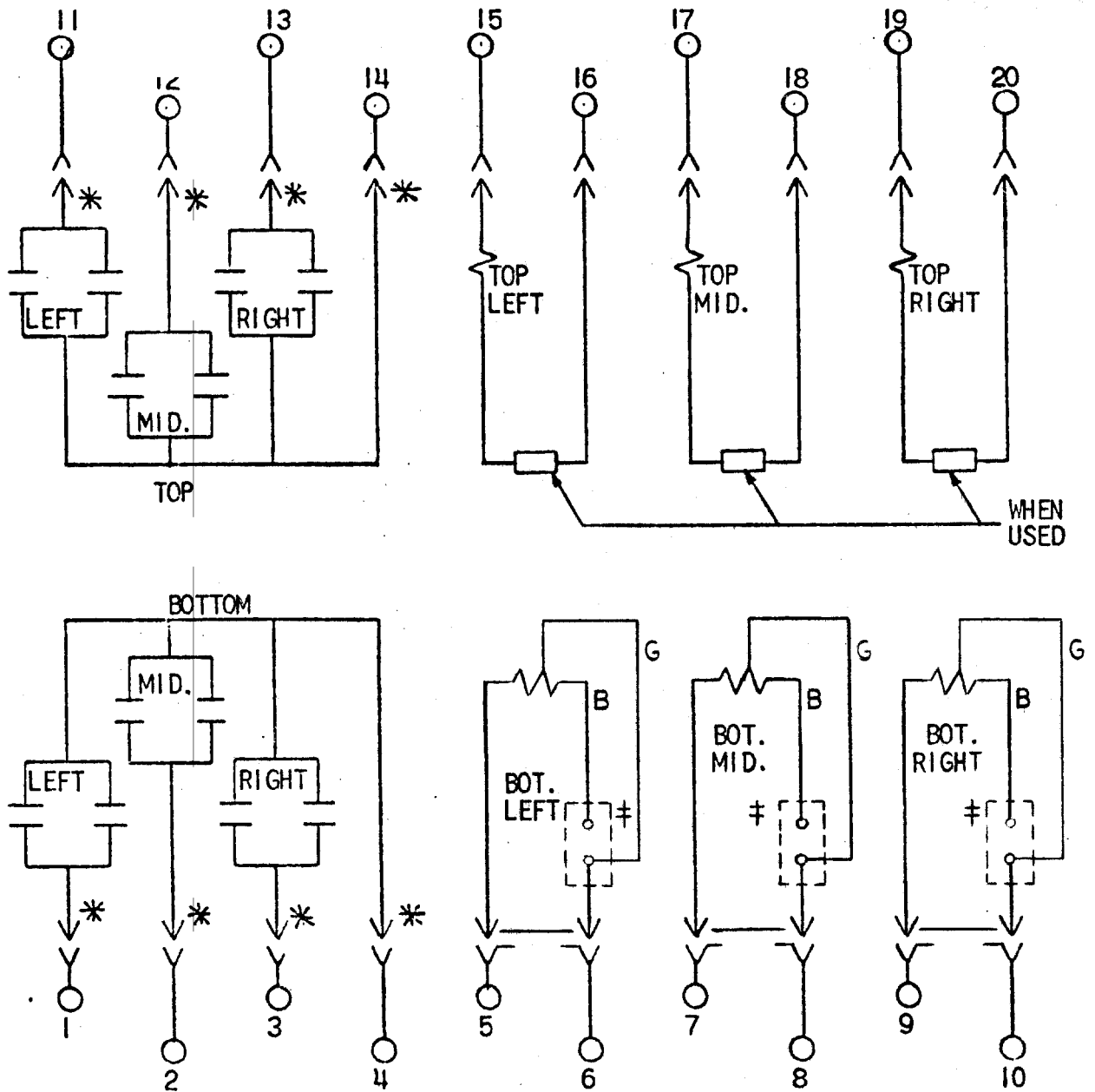
1. It has three voltage and 3 current operated units.
2. The internal connections for HAA99AB are shown in Figure 1 of this supplement.

These instructions do not purport to cover all details or variations in equipment nor to provide for every possible contingency to be met in connection with installation, operation or maintenance. Should further information be desired or should particular problems arise which are not covered sufficiently for the purchaser's purposes, the matter should be referred to the General Electric Company.

POWER SYSTEMS MANAGEMENT DEPARTMENT

GENERAL  ELECTRIC

PHILADELPHIA, PA.



† CONNS SHOWN FOR 2.0 AMP RATING INTERCHANGE
 BLACK & GREEN LEADS FOR LOWER AMP. RATING.

- B BLACK LEAD
- G GREEN LEAD
- * SHORT FINGERS

FIGURE 1 (0257A9639-0) INTERNAL CONNECTIONS FOR RELAY HAA99AB(-)A