



INSTRUCTIONS

GEK-36842
Insert Booklet GEK-1277

ELECTRIC RESET AUXILIARY RELAY

TYPE HEA

MODEL 0208A8463

INTRODUCTION

These instructions plus those included in GEK-1277 form the instructions for this relay.

DESCRIPTION

Special relay 0208A8463 is similar to 12HEA63C except with 19 contacts plus 2 for trip coil and one for resetting. The additional time of ten milliseconds should be added to the time to close a normally open contact at rated voltage shown in Figure 5 of the GEH-2058.

Refer to Figure 1 of this supplement for the internal connections and contact arrangement of this relay.

Refer to Figure 2 of this supplement for the outline and panel drilling of this relay.

These instructions do not purport to cover all details or variations in equipment nor to provide for every possible contingency to be met in connection with installation, operation or maintenance. Should further information be desired or should particular problems arise which are not covered sufficiently for the purchaser's purposes, the matter should be referred to the General Electric Company.

POWER SYSTEMS MANAGEMENT DEPARTMENT

GENERAL  ELECTRIC

PHILADELPHIA, PA.

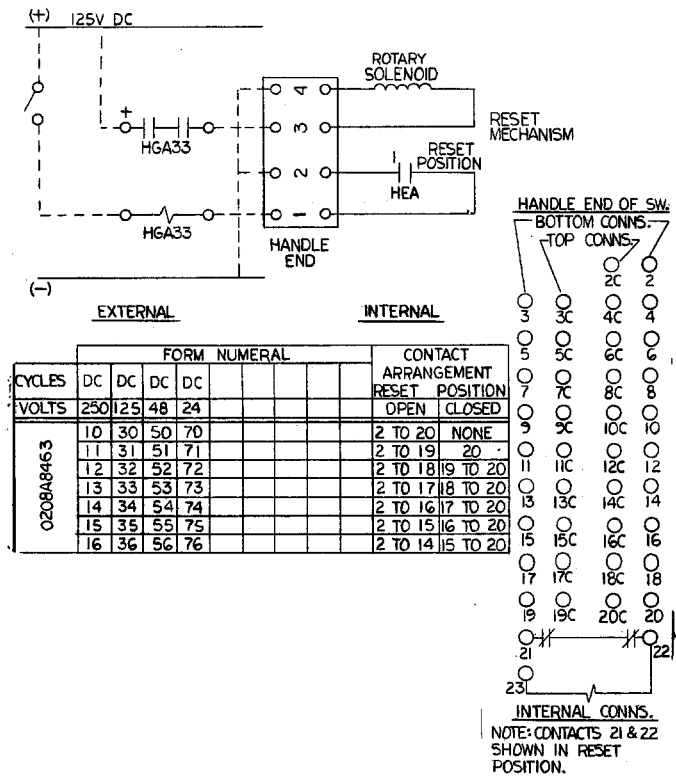


FIG. 1 (0208A8463-0 SH. 2) Internal Connections And Contact Arrangement For Relay 0208A846

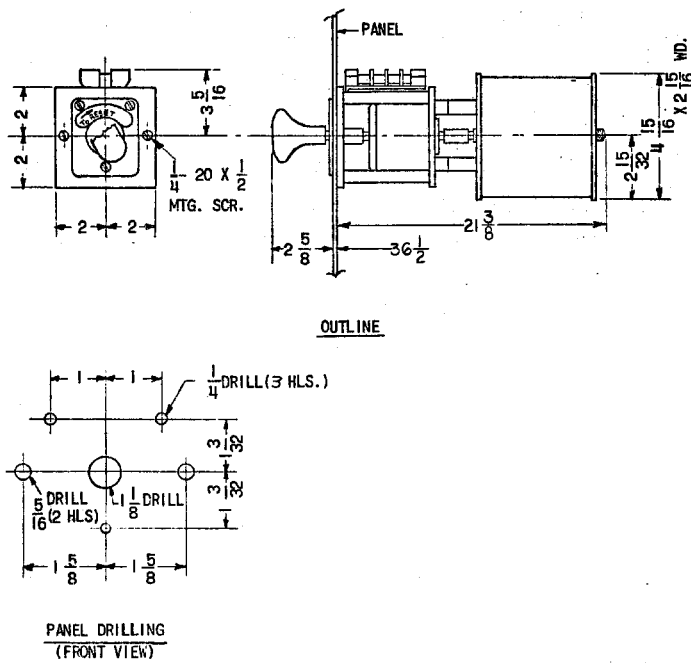


FIG. 2 (0246A7977-0) Outline And Panel Drilling For Relay 0208A8463