



INSTRUCTIONS

GEK-45328
Insert Booklet GEH-2058

HAND RESET AUXILIARY RELAY

TYPE HEA

MODEL 12HEA99AB

INTRODUCTION

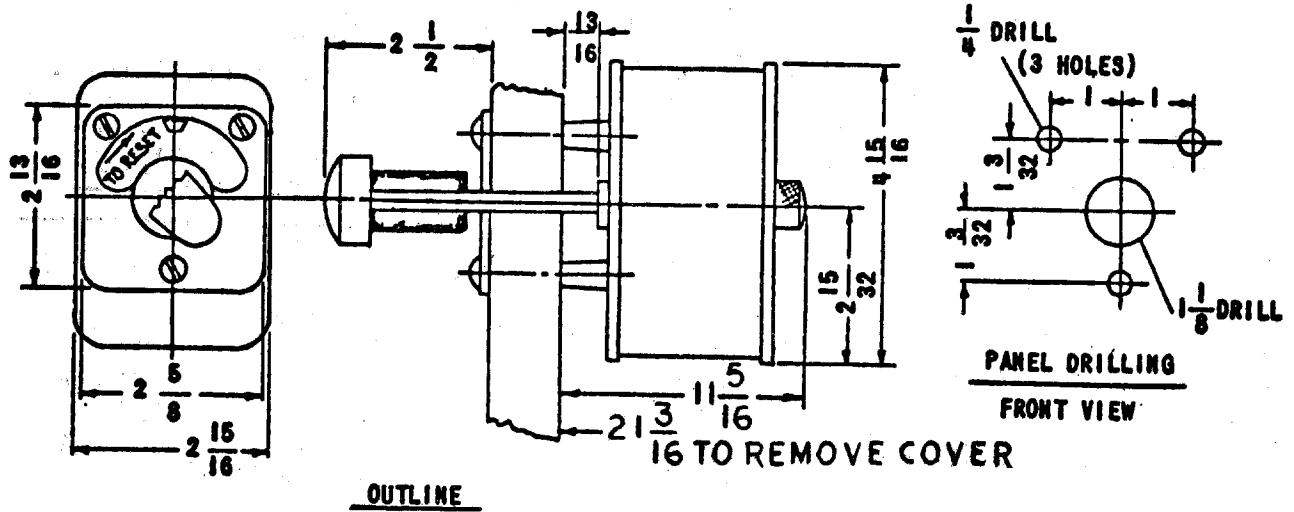
These instructions plus those included in GEH-2058 form the instructions for this relay.

DESCRIPTION

Relay 12HEA99AB is similar to model 12HEA61A except with a special nine (9) ohm coil, and with special non-overlapping coil contacts.

Refer to Figure 1 of this supplement for the internal connections, outline and panel drilling.

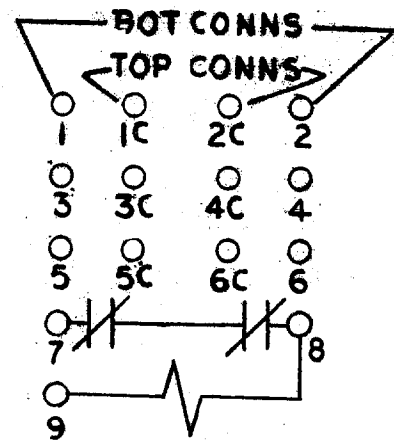
These instructions do not purport to cover all details or variations in equipment nor to provide for every possible contingency to be met in connection with installation, operation or maintenance. Should further information be desired or should particular problems arise which are not covered sufficiently for the purchaser's purposes, the matter should be referred to the General Electric Company.



| SPECIAL RELAY 12HEA99AB | COIL Ω | 9.7 | | | | | | | CONTACT ARR'GMT | |
|----------------------------|---------------|-----|--|--|--|--|--|--|--------------------|--------|
| | CYCLES DC | | | | | | | | RESET POS. | |
| | VOLTS | 125 | | | | | | | OPEN | CLOSED |
| | 220 | | | | | | | | NONE | 1 TO 6 |
| | 221 | | | | | | | | 1 | 2 TO 6 |
| | 222 | | | | | | | | 1 & 2 | 3 TO 6 |
| | 223 | | | | | | | | 1 TO 3 | 4 TO 6 |
| | 224 | | | | | | | | 1 TO 4 | 5 & 6 |
| | 225 | | | | | | | | 1 TO 5 | 6 |
| | 226 | | | | | | | | 1 TO 6 | NONE |

CAM ARRANGEMENT (F.V.)
"A" CAM NEAREST HANDLE

HANDLE END OF SWITCH



INTERNAL CONNECTIONS
NOTE: CONTACTS 7 AND 8
SHOWN IN RESET POSITION

FIG. 001 (12HEA99AB-0) Outline, Panel Drilling And Internal Connections For Relay 12HEA99AB