



INSTRUCTIONS

GEK-45353
Insert Booklet GEK-1277

ELECTRIC RESET AUXILIARY RELAY

TYPE HEA

MODEL 12HEA99AC(-)

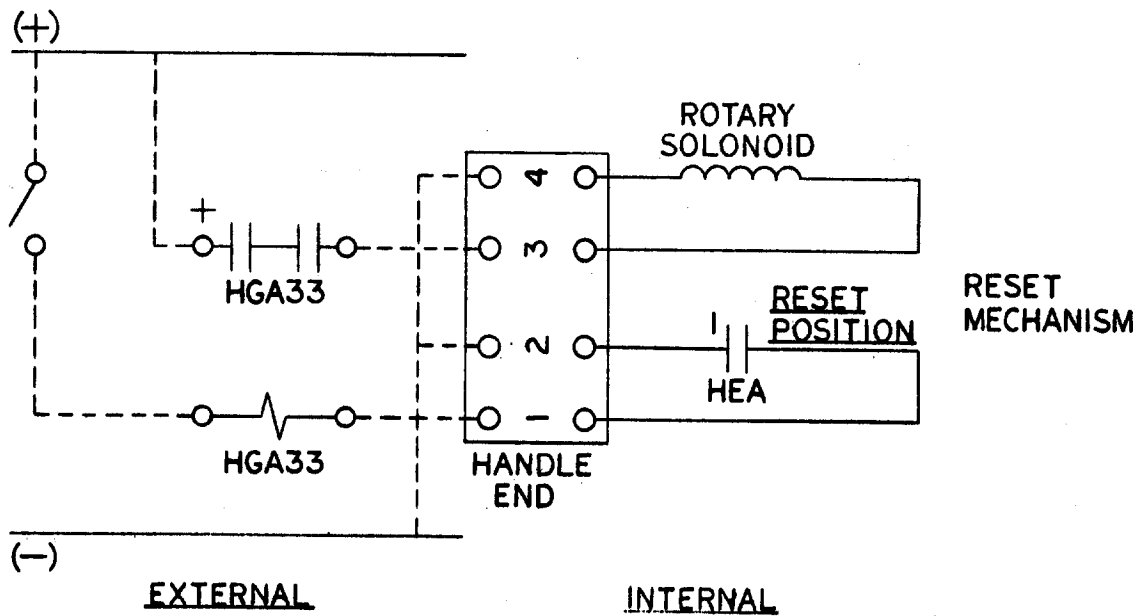
INTRODUCTION

These instructions plus those included in GEK-1277 form the instructions for the HEA99AC relays.

DESCRIPTION

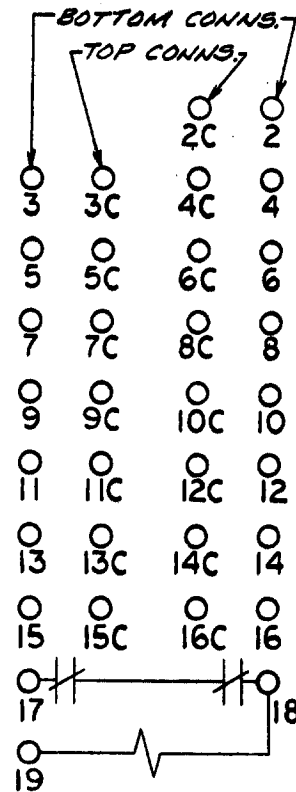
Relay 12HEA99AC is similar to 12HEA63C except with special trip coil and special contact arrangement. Refer to Figure 1 of this supplement for internal connections, ohmic value of trip coil, and contact arrangement.

These instructions do not purport to cover all details or variations in equipment nor to provide for every possible contingency to be met in connection with installation, operation or maintenance. Should further information be desired or should particular problems arise which are not covered sufficiently for the purchaser's purposes, the matter should be referred to the General Electric Company.



CYCLES	RELAY FORM NUMERAL								CONTACT ARRANGEMENT	
	DC								RESET POS.	
	OHMS	16							OPEN	CLOSED
MODEL 12HEA99AC(-)	001								9-5-7-9	2-4-6
	002								11-10-16	8-10
									2-4-6-8-9-11	3-5-7-10
									12-14-15	13-16

HANDLE END OF SW.



HEA INTERNAL CONNS.
NOTE: CONTACTS 17 & 18
SHOWN IN RESET
POSITION.

FIG. 1 (12HEA99AC-0 SH. 2) INTERNAL CONNECTIONS, OHMIC VALUE OF TRIP COIL, AND CONTACT ARRANGEMENT FOR RELAY 12HEA99AC