



INSTRUCTIONS

GEK-45409A

INSERT BOOKLET GEH-2058

RESET AUXILIARY RELAY

TYPE HEA

MODEL 12HEA99AJ

INTRODUCTION

These instructions plus those included in GEH 2058 form the instructions for this relay.

DESCRIPTION

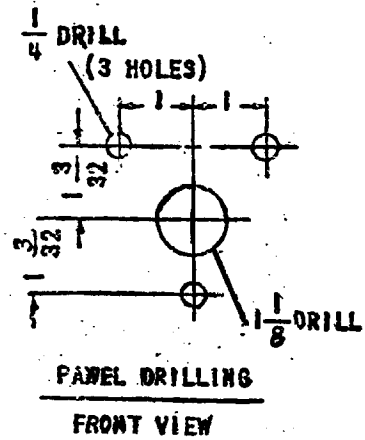
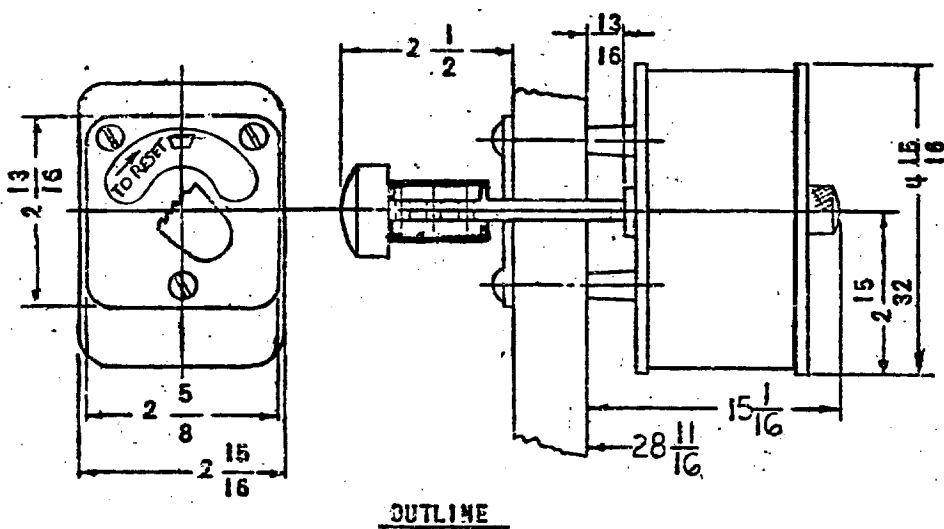
Relay 12HEA99AJ is similar to 12HEA61C except with nine (9) ohm coil and with special non overlapping coil contacts.

Refer to Figure 1 of this supplement for the internal connections, outline, panel drilling and escutcheon engraving.

These instructions do not purport to cover all details or variations in equipment nor to provide for every possible contingency to be met in connection with installation, operation or maintenance. Should further information be desired or should particular problems arise which are not covered sufficiently for the purchaser's purposes, the matter should be referred to the General Electric Company.

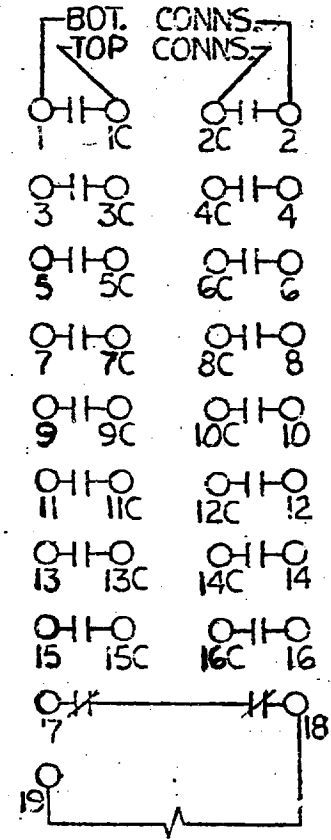
To the extent required the products described herein meet applicable ANSI, IEEE and NEMA standards; but no such assurance is given with respect to local codes and ordinances because they vary greatly.

GENERAL  ELECTRIC



VOLTS	CYCLES	COIL	CONTACT ARRANGEMENT	
			RESET	POSITION
			OPEN	CLOSED
125	DC	9.7	NONE	1 TO 16
			1	2 TO 16
			1 &	23 TO 16
			1 TO	34 TO 16
			1 TO	45 TO 16
			1 TO	56 TO 16
			1 TO	67 TO 16
			1 TO	78 TO 16
			1 TO	89 TO 16
			1 TO	910 TO 16
			1 TO	1011 TO 16
			1 TO	1112 TO 16
			1 TO	1213 TO 16
			1 TO	1314 TO 16
			1 TO	1415 & 16
			1 TO	15 16
			1 TO 16	NONE
			15 & 16	1 TO 14

HANDLE END OF SW.



INTERNAL CONNS.

NOTE: CONTACTS 17 & 18 SHOWN IN RESET POSITION.

Figure 1 (12HEA99AJ)