



RESET AUXILIARY RELAY

TYPE HEA

MODEL 12HEA99AL

INTRODUCTION

These instructions plus those included in GEK-2058 form the instructions for this relay.

DESCRIPTION

Relay 12HEA99AL is similar to 12HEA61B except with an isolation barrier separating two groups of three contact stages.

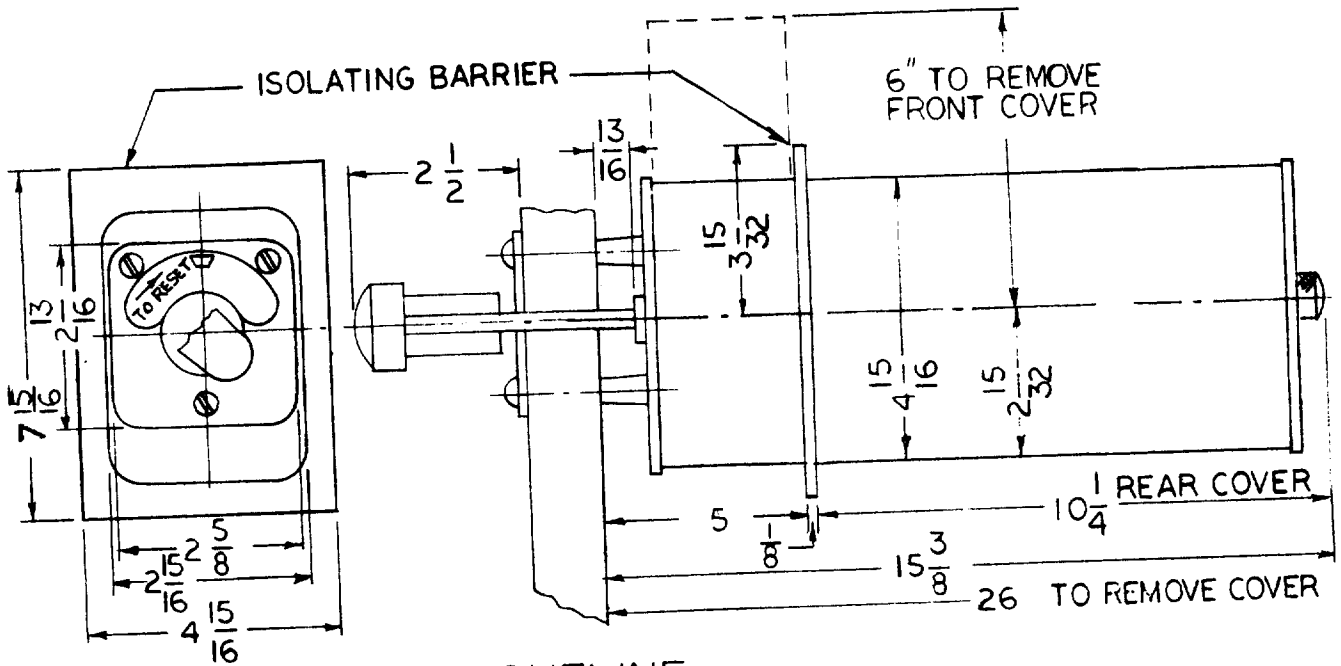
Refer to Figure 1 of this supplement for the internal connections, outline, panel drilling and escutcheon engraving.

These instructions do not purport to cover all details or variations in equipment nor to provide for every possible contingency to be met in connection with installation, operation or maintenance. Should further information be desired or should particular problems arise which are not covered sufficiently for the purchaser's purposes, the matter should be referred to the General Electric Company.

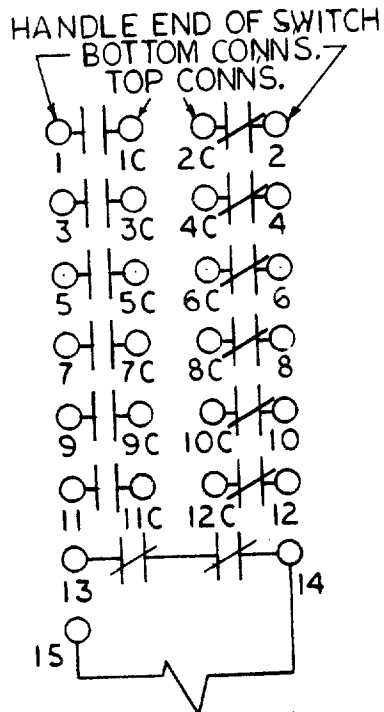
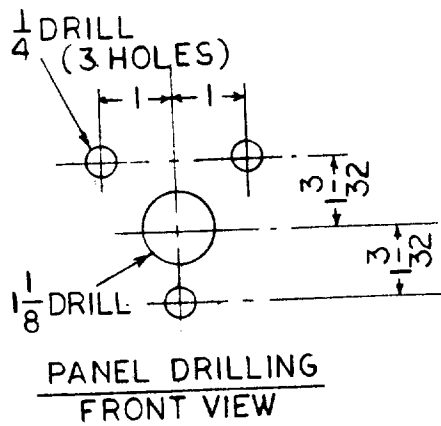
To the extent required the products described herein meet applicable ANSI, IEEE and NEMA standards; but no such assurance is given with respect to local codes and ordinances because they vary greatly.

Power Systems Management Department

GENERAL  ELECTRIC



OUTLINE



INTERNAL CONNS
 NOTE: ALL CONTACTS SHOWN
 IN RESET POSITION.
 CONTACTS 13 & 14 SHOWN
 IN RESET POSITION.

Fig. 1 (0269A1782-0) Internal Connections, Outline and Panel Drilling