



INSTRUCTIONS

AUXILIARY RELAYS HAND and ELECTRIC RESET WITH TARGET TYPE HEA

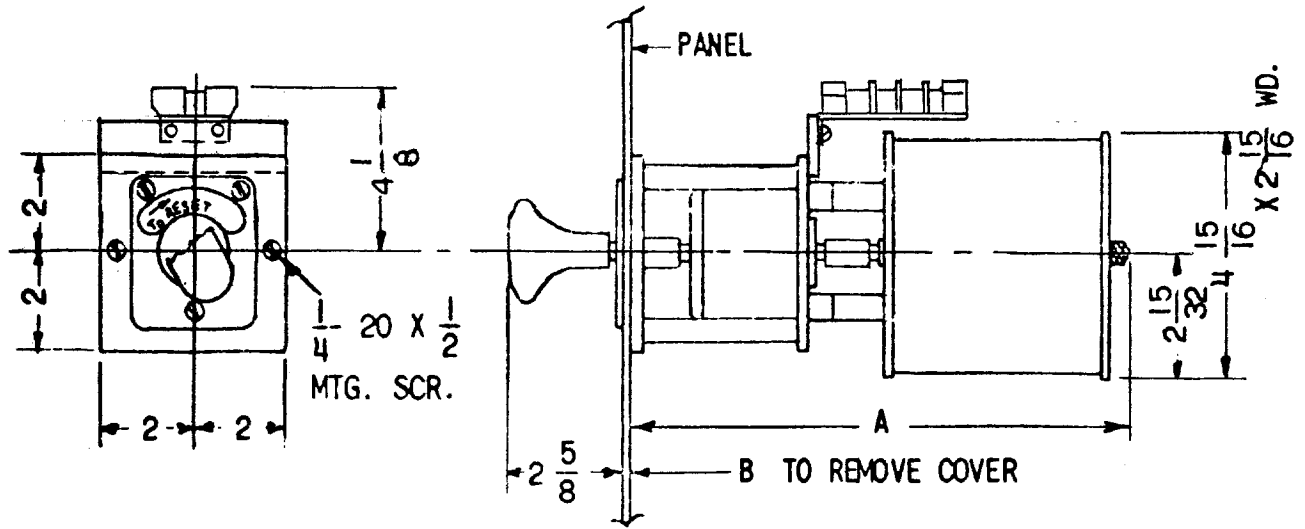
This instruction book, GEK-99349 together with GEK-1277, forms the instructions for the HEA99BH, HEA99BJ, HEA99BK, HEA99BL, HEA99BM and HEA99BN relays.

The above relays are similar to the HEA63A, HEA63B, HEA63C, HEA63D, HEA63F and HEA63G, with the exception that the 125 VDC relays have 9.0 ohm tripping coils and the 250 VDC relays have 23.0 ohm tripping coils. In addition, the user terminal board has been relocated.

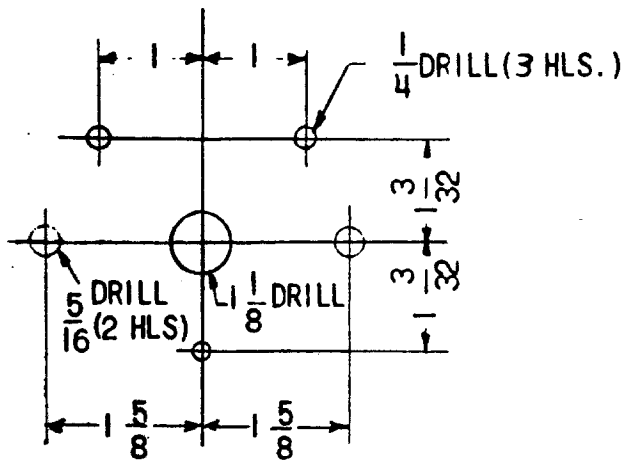
See Figure 1 overleaf for the outline and panel drilling for these relays.

These instructions do not purport to cover all details or variations in equipment nor provide for every possible contingency to be met in connection with installation, operation or maintenance. Should further information be desired or should particular problems arise which are not covered sufficiently for the purchaser's purposes, the matter should be referred to the General Electric Company.

To the extent required the products described herein meet applicable ANSI, IEEE and NEMA standards; but no such assurance is given with respect to local codes and ordinances because they vary greatly.



OUTLINE



PANEL DRILLING
(FRONT VIEW)

MODEL	A	B
12HEA99BH	16 3/16	25 7/8
12HEA99BJ	17 11/16	28 13/16
12HEA99BK	19 7/8	33 1/2
12HEA99BL	16 3/16	25 7/8
12HEA99BM	17 11/16	28 13/16
12HEA99BN	19 7/8	33 1/2

Figure 1 (0286A2993) Outline and Panel Drilling Dimensions for Hand- and Electric-reset HEA Auxiliary Relays with target

(9/94) (200) GENERAL ELECTRIC METER & CONTROL, GREAT VALLEY PARKWAY, MALVERN, PA 19355