



INSTRUCTIONS

AUXILIARY RELAY
TYPE HFA
Model 12HFA99AS(1)A

INTRODUCTION

This information, along with that in instruction book GEK-69816, forms the instructions for the 12HFA99AS(1)A relay.

DESCRIPTION

The 12HFA99AS(1)A relay is similar to the 12HFA173K(2)A relay except the internal resistor is 200 ohms.

The operating coil in series with the 200 ohm varistor is intermittently rated for one minute at 125 volts DC.

The internal connection diagram is shown in Figure 1.

Protection and Control

GE Technology Center
205 Great Valley Parkway
Malvern, PA 19355-1337

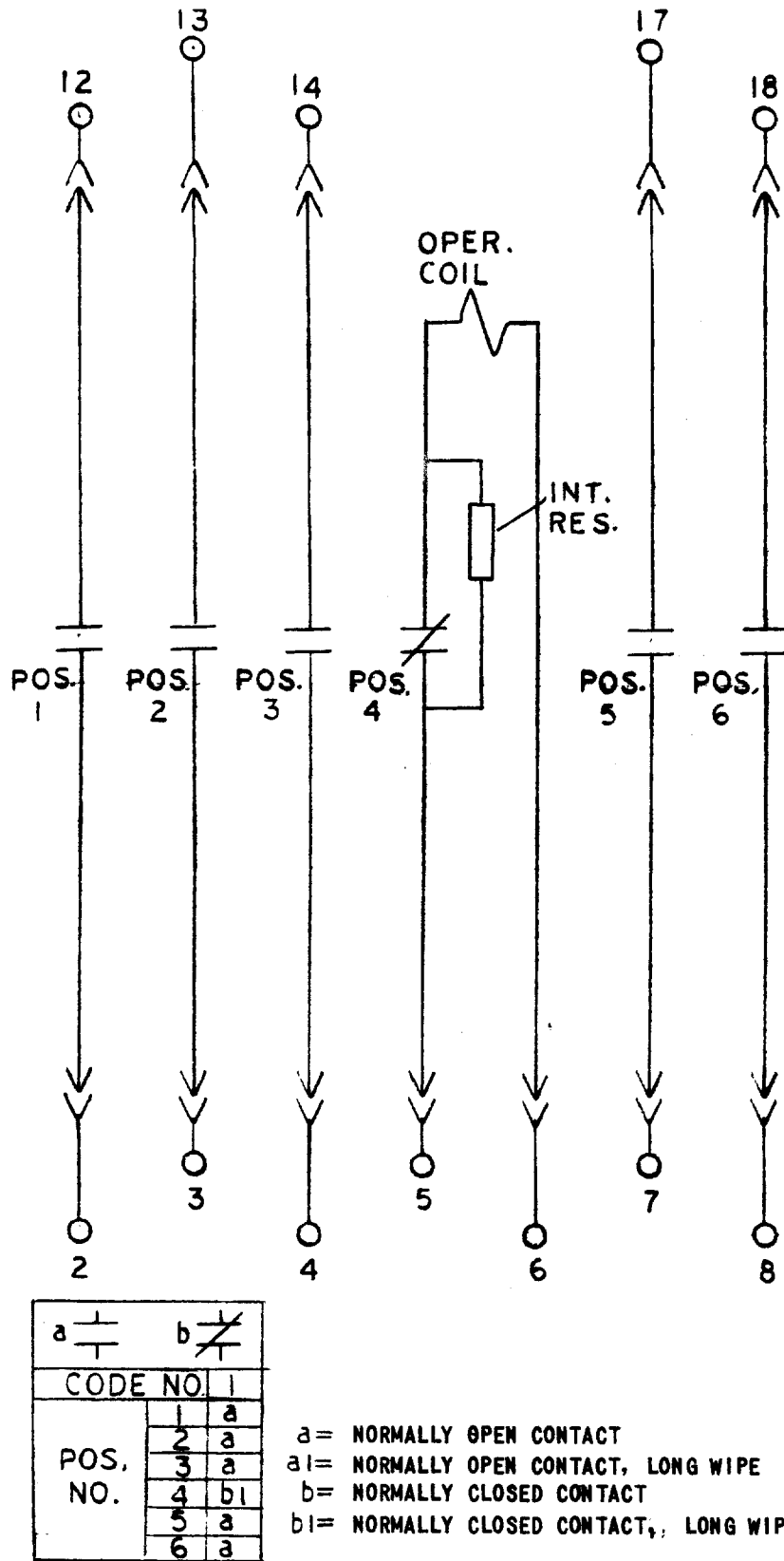


Figure 1 (0246A6960) Internal Connections for 12HFA99AS(1)A