



INSTRUCTIONS

GEK-45321
Insert Booklet GEI-68720

MULTI-CONTACT AUXILIARY RELAY

12HFA99AA

TYPE HFA

INTRODUCTION

This supplement in addition to GEI-68720 constitutes the instructions for the 12HFA99AA relay.

DESCRIPTION

Relay 12HFA99AA is similar to the 12HFA54M relay except for the following:

1. The relay is mounted in single unit double-end draw-out S2 case. See the Outline and panel drilling of figure 1 of this supplement.
2. Internal connections are per figure 2 of this supplement.

These instructions do not purport to cover all details or variations in equipment nor to provide for every possible contingency to be met in connection with installation, operation or maintenance. Should further information be desired or should particular problems arise which are not covered sufficiently for the purchaser's purposes, the matter should be referred to the General Electric Company.

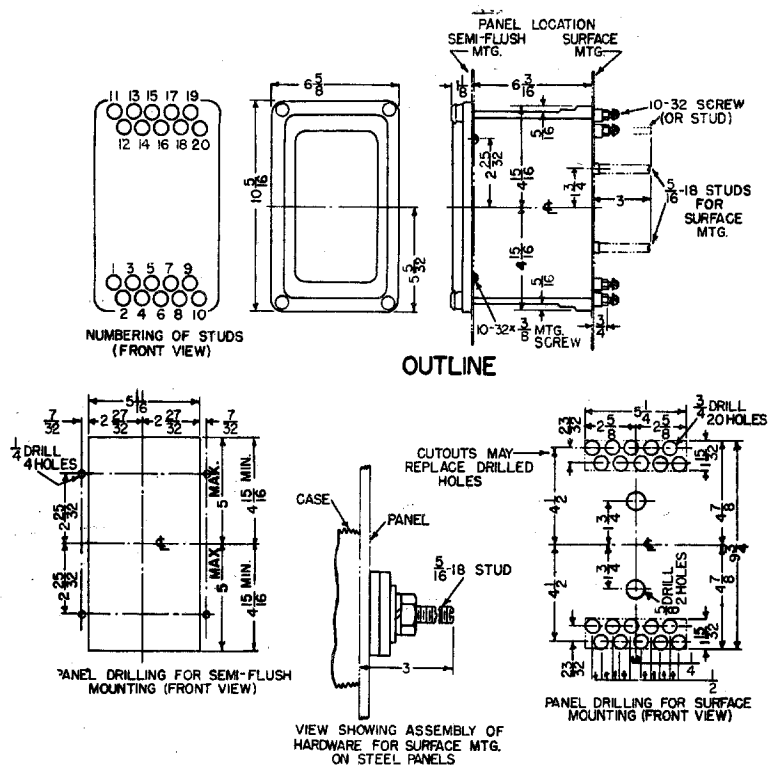


FIG. 1 (K 6209272-2) Outline and Panel Drilling For the 12HFA99AA Type Relay

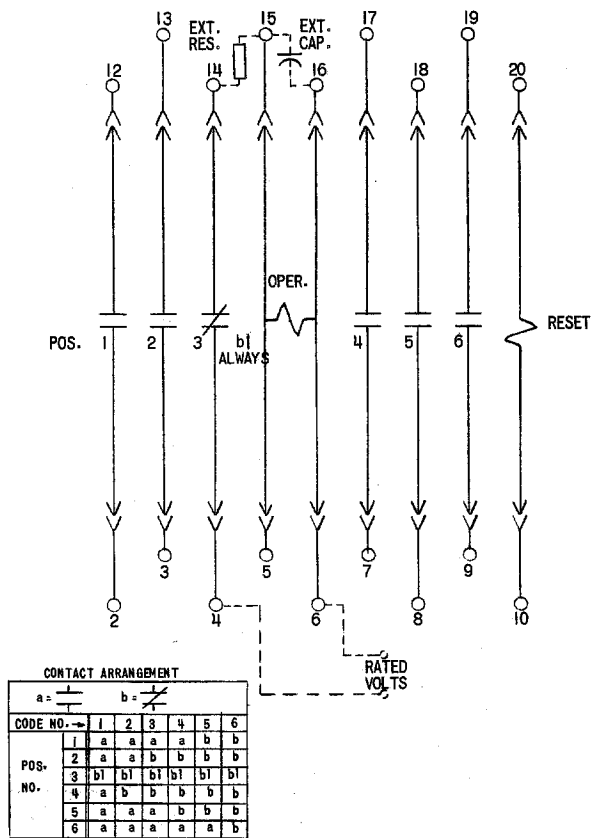


FIG. 2 (0257A5040-0) Internal Connections for the 12HFA99AA Type Relay