



INSTRUCTIONS

GEK-86645
Insert Booklet GEI-68720

AUXILIARY RELAY TYPE HFA MODEL 12HFA99AM(-)H

INTRODUCTION

This instruction book, together with insert booklet GEI-68720, forms the instructions for the 12HFA99AM(-)H relays.

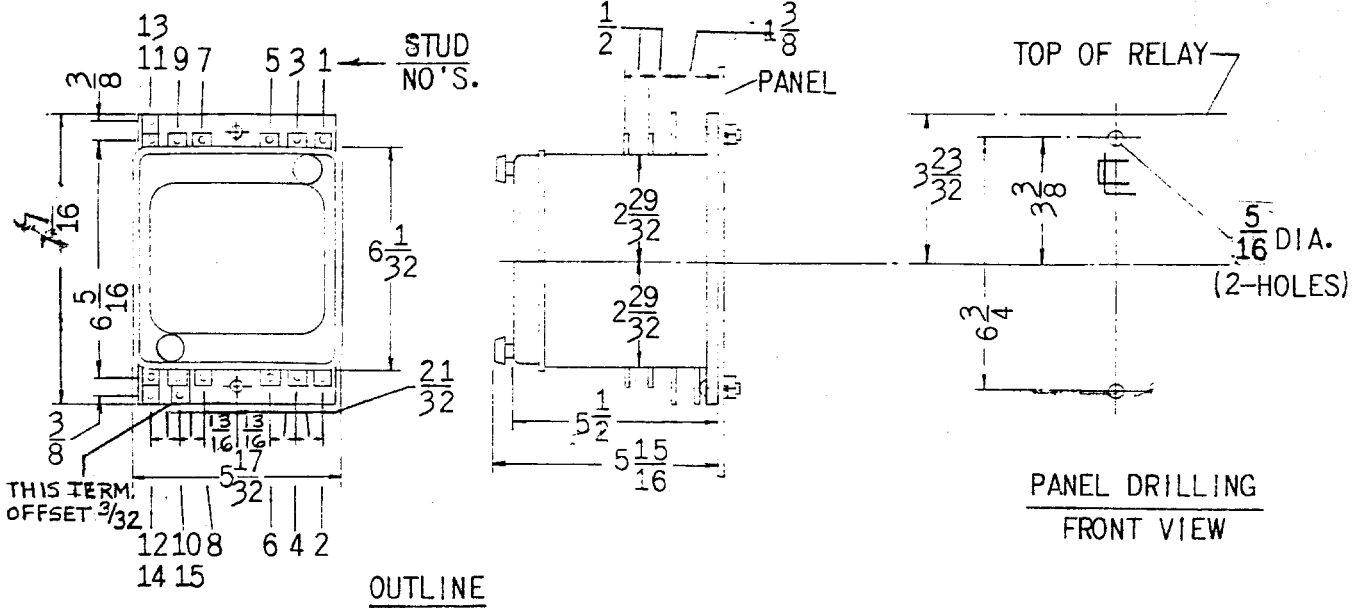
DESCRIPTION

The 12HFA99AM(-)H relay is the same as the 12HFA54B(-)H relay in the GEI-68720 instruction book. This relay has a 24 volt, 60 hertz operating coil, and a 24 volt, 60 hertz reset coil.

Figure 1 is the internal connections diagram for the 12HFA99AM(-)H relay.

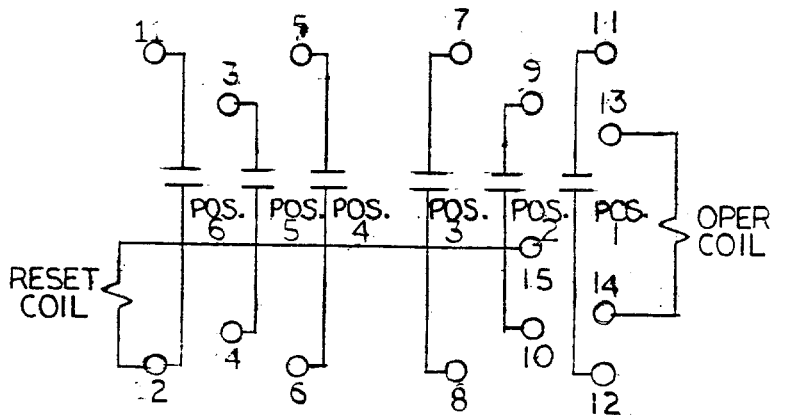
These instructions do not purport to cover all details or variations in equipment nor to provide for every possible contingency to be met in connection with installation, operation or maintenance. Should further information be desired or should particular problems arise which are not covered sufficiently for the purchaser's purposes, the matter should be referred to the General Electric Company.

To the extent required the products described herein meet applicable ANSI, IEEE and NEMA standards; but no such assurance is given with respect to local codes and ordinances because they vary greatly.



	C O D E	CONTACT ARRANGEMENT					
		1	2	3	4	5	6
HFA54B*H	60	a	a	a	a	a	a
54C*H	51	a	a	a	b	a	a
54E*H	42	a	a	b	b	a	a
HFA99AJ*H	33	a	a	b	b	b	a
	24	a	b	b	b	b	a
	15	b	b	b	b	b	a
HFA54D*H	33	a	a $\bar{1}$	b $\bar{1}$	b	b	a

a = N.O. CONTACT
a $\bar{1}$ = N.O. CONTACT, LONG WIPE
b = N.C. CONTACT
b $\bar{1}$ = N.C. CONTACT, LONG WIPE
+ EACH RELAY IS AVAILABLE ONLY WITH THE CONTACT CODES SPECIFIED.



INTERNAL CONNECTIONS
BACK VIEW

EACH CONTACT CONVERTIBLE ONLY
ACCORDING TO CONTACT
ARRANGEMENT CODE.

Figure 1 (0104A8528) Internal Connections Diagram for the 12HFA99AM(-)H Relay