

INSTRUCTIONS

GEK- 26442
Insert Booklet-GEH-1793



INSTANTANEOUS AUXILIARY RELAY

TYPE HGA

MODEL 12HGA11E(-)A

INTRODUCTION

These instructions plus those included in GEH-1793 form the instructions for this relay.

DESCRIPTION

Relay model HGA11E consists of three HGA type hinged armature relays mounted in a medium size double ended drawout (M2) case. Each of the HGA units used in this relay has two sets of transfer contacts. The contacts of the three units are brought out to separate studs and the operating coils are connected in parallel and brought out to two studs. Figure 1 of this supplement shows the internal connections diagram for this relay. The outline and panel drilling diagram is shown in Figure 2.

Each of the three HGA units are used in this relay is similar to model HGA11A described in GEH-1793 except the molded cover has been omitted.

These instructions do not purport to cover all details or variations in equipment nor to provide for every possible contingency to be met in connection with installation, operation or maintenance. Should further information be desired or should particular problems arise which are not covered sufficiently for the purchaser's purposes, the matter should be referred to the General Electric Company.

POWER SYSTEMS MANAGEMENT DEPARTMENT

GENERAL  ELECTRIC

PHILADELPHIA, PA.

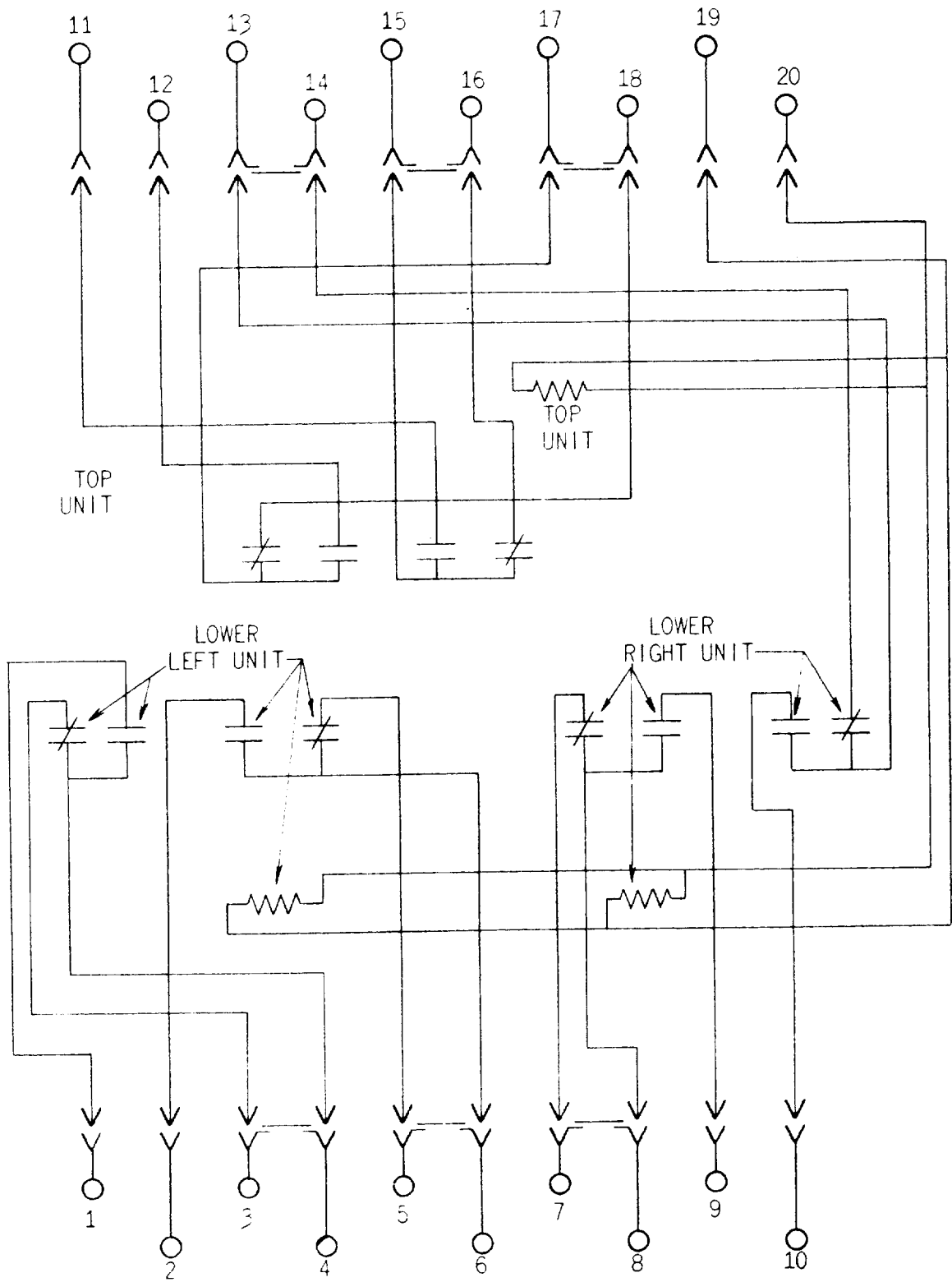


FIG. 1 (0226A6955-0) Internal Connections Diagram For The HGA11E Relay (Front View)

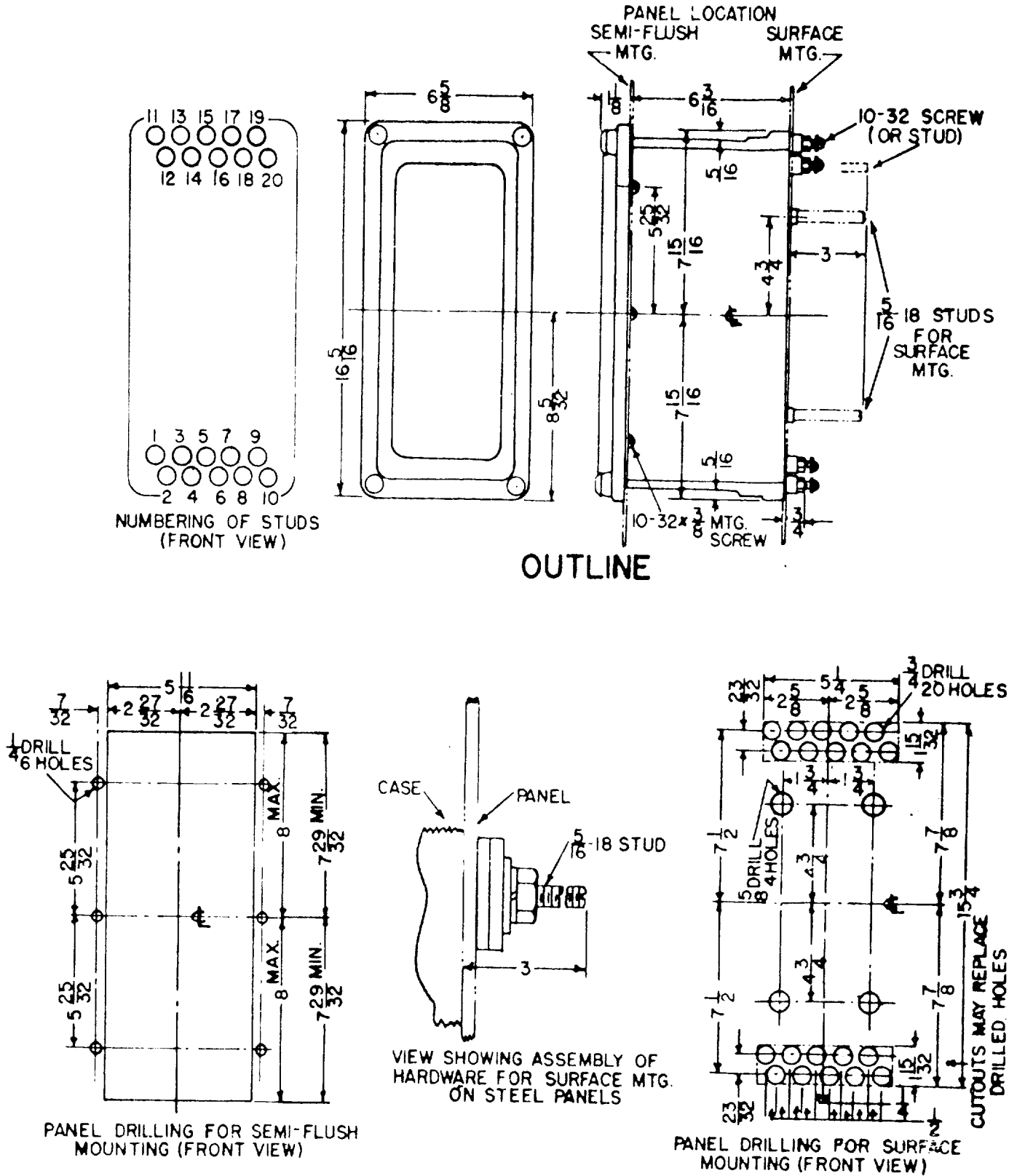


FIG. 2 (K-6209274-2) Outline And Panel Drilling Dimensions For The HGA11E Relay



GE Power Management

**215 Anderson Avenue
Markham, Ontario
Canada L6E 1B3
Tel: (905) 294-6222
Fax: (905) 201-2098
www.ge.com/indsys/pm**