



INSTRUCTIONS

GEK-45389
Insert Booklet GEI-10190

**AUXILIARY RELAY
TYPE HGA
MODEL HGA99AB**

INTRODUCTION

This supplement in addition to the GEI-10190 constitutes the instructions for the 12HGA99AB(-)A relay.

DESCRIPTION

Relay 12HGA99AB(-)A consists of two HGA17A units and a target unit mounted in a size S2 drawout case.

The internal circuitry, see Figure 1 of this supplement, is arranged such that when both HGA units drop-out the target unit is de-energized. When de-energized, the target will close its normally closed contact and show its target flag. Energization of either HGA unit will cause the target unit to pick-up and the target flag will be reset and indication of previous operation lost.

RATINGS

Burden for the coils of the HGA units are given in Table I below:

TABLE I

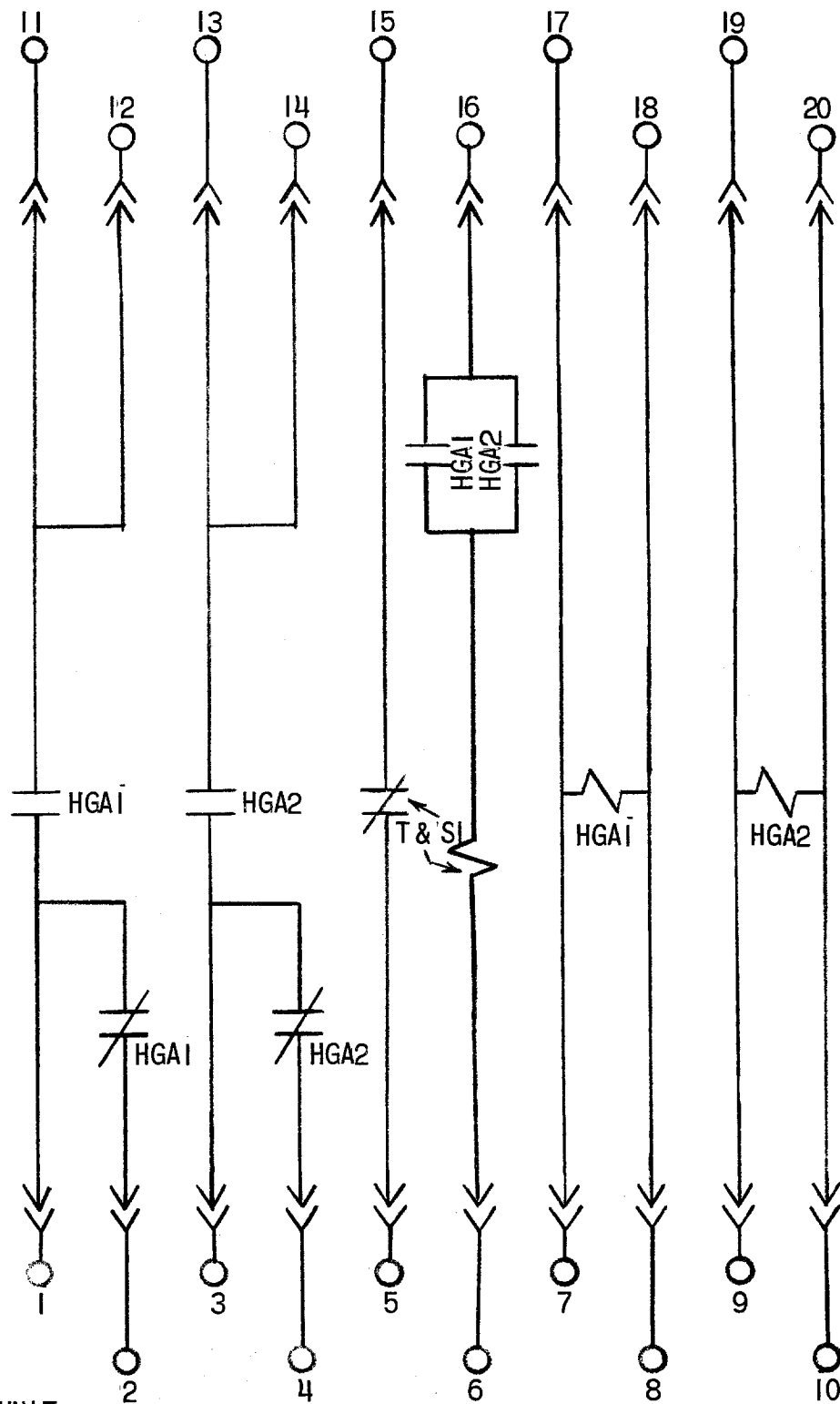
FORM	RATING VDC	RESISTANCE OHMS	ONE SECOND RATING: AMPS	COLD WATTS
001	125	2280	0.75	6.85

Burden for the target unit coil is given in Table II below.

TABLE II

RATING VDC	RESISTANCE OHMS	ONE SECOND RATING: AMPS	COLD WATTS
125	5600	0.30	2.8

These instructions do not purport to cover all details or variations in equipment nor to provide for every possible contingency to be met in connection with installation, operation or maintenance. Should further information be desired or should particular problems arise which are not covered sufficiently for the purchaser's purposes, the matter should be referred to the General Electric Company.



HGA1 = LEFT UNIT
 HGA2 = RIGHT UNIT
 T & SI = TARGET & SEAL-IN

FIG. 1 (0257A8358-0) INTERNAL CONNECTIONS DIAGRAM FOR AUXILIARY TYPE 12HGA99AB(-)A RELAY