



## INSTRUCTIONS

GEK-86676  
Insert Booklet GEI-38945

### DC AUXILIARY RELAY

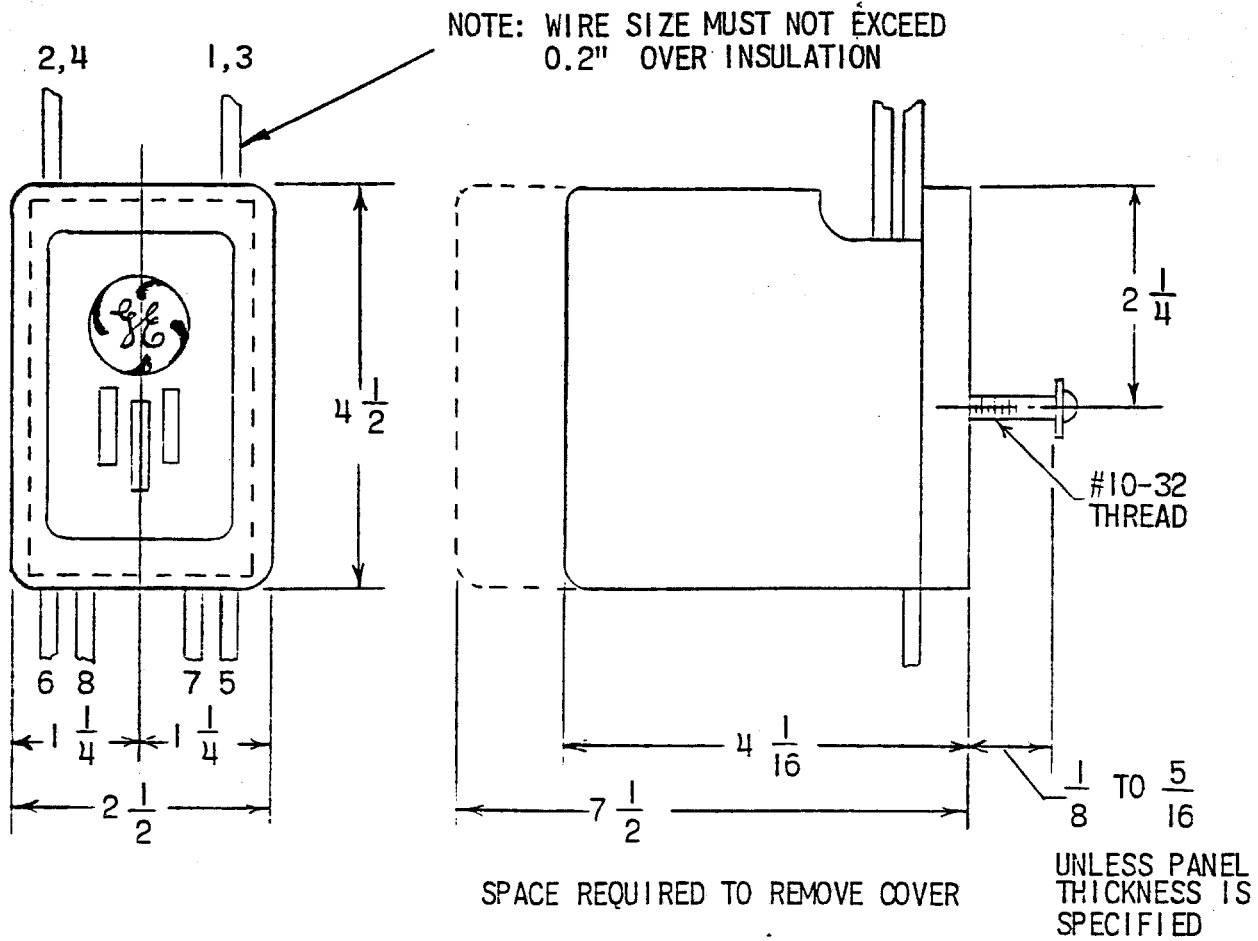
#### TYPE HGA99AH

#### INTRODUCTION

This instruction book, together with insert booklet GEI-38945, forms the instructions for the HGA99AH relays.

The HGA99AH is similar to the HGA14D relay, except that it is front-connected.

The outline, panel drilling and internal connections diagrams are shown in Figure 1 of this instruction book.



OUTLINE

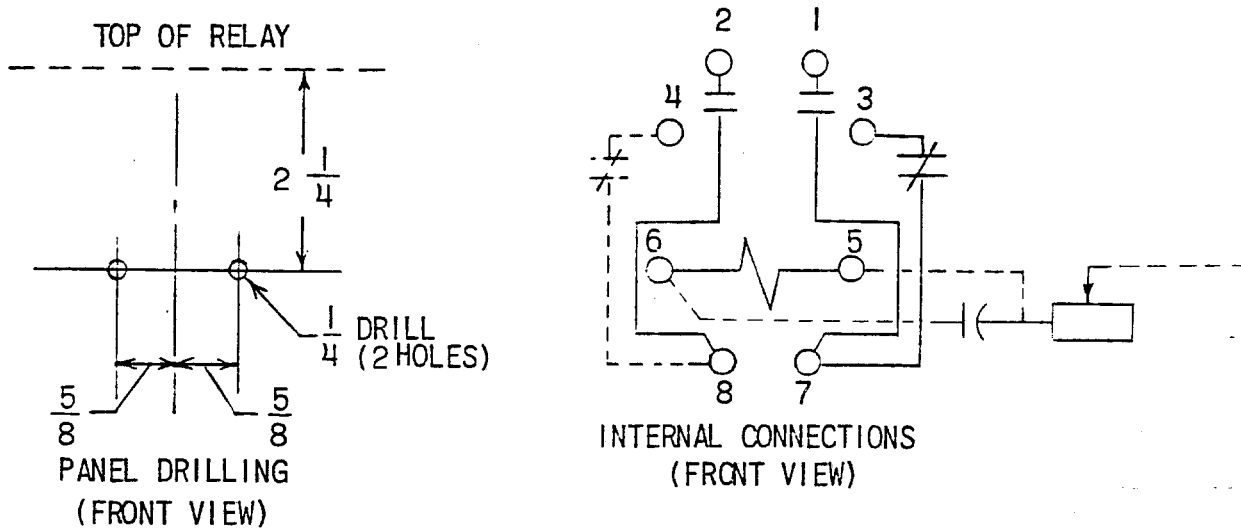


Figure 1 (0285A8967-0) Outline, Panel Drilling and Internal Connections Diagrams for the HGA99AH Relay