



INSTRUCTIONS

GEK- 33928

Insert Booklet- GEH-1814

INDUCTION DISK OVERVOLTAGE RELAY TYPE IAV MODEL 12IAV54K(-)A

INTRODUCTION

These instructions plus those included in GEH-1814 form the instructions for this relay.

DESCRIPTION

Relay model IAV54K is an induction disk type overvoltage relay with one normally closed contact. The relay is mounted in a small single ended drawout (S1) case. The relay operating coil circuit is tuned with a series capacitor to give a low pickup voltage with a high continuous rating. Model IAV54K is similar to model IAV51D described in GEH-1788 except:

1. The internal connections for this relay are shown in Figure 1 of this supplement.
2. Because the IAV54K has no seal-in unit, the contact ratings are as given in the table below.

FUNCTION	VOLTS	AMPERES	
		AC	DC
Make and	125	1.5	0.3*
Interrupt	250	0.75	0.15*
at	600	0.00	0.00

* Noninductive Load

These contact ratings are maximum and apply only when rapid and definite operation of the induction disk unit takes place, such as when the relay opens contacts with a multiple of more than two times pickup applied, or closes contacts with zero volts across the operating coil. Conditions that cause the contacts to hang barely open may cause the contacts to burn, excessive panel vibration may cause the contacts to burn.

3. The IAV54K is adjusted to open its contacts at tap voltage. Because this relay was designed to open its contacts for a overvoltage condition with no intentional time delay, the relay is not adjusted to have a specific time-voltage characteristic. The drag magnet has been adjusted to give the fastest possible contact opening on overvoltage while supplying just enough damping to give good contact action.

GENERAL  ELECTRIC

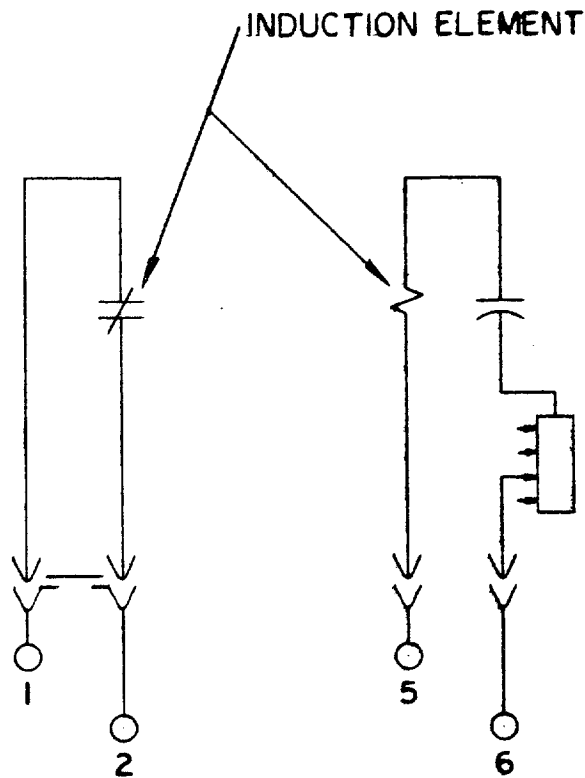


FIG. 1 (0227A7108-0) Internal Connections Diagram For Model IAV54K

These instructions do not purport to cover all details or variations in equipment nor to provide for every possible contingency to be met in connection with installation, operation or maintenance. Should further information be desired or should particular problems arise which are not covered sufficiently for the purchaser's purposes, the matter should be referred to the General Electric Company.