



INSTRUCTIONS

GEK-49876

Insert Booklet GEK-1271

GROUND DIRECTIONAL OVERCURRENT RELAY TYPE IBCG99A()A

INTRODUCTION

This supplement in addition to GEK-1271 constitutes the instructions for the IBCG99A()A relay.

DESCRIPTION

The IBCG99A()A relay is similar to IBCG51K()A except for the telephone relay shown on Fig. 1.

These instructions do not purport to cover all details or variations in equipment nor to provide for every possible contingency to be met in connection with installation, operation or maintenance. Should further information be desired or should particular problems arise which are not covered sufficiently for the purchaser's purposes, the matter should be referred to the General Electric Company.

To the extent required the products described herein meet applicable ANSI, IEEE and NEMA standards; but no such assurance is given with respect to local codes and ordinances because they vary greatly.

GENERAL  **ELECTRIC**

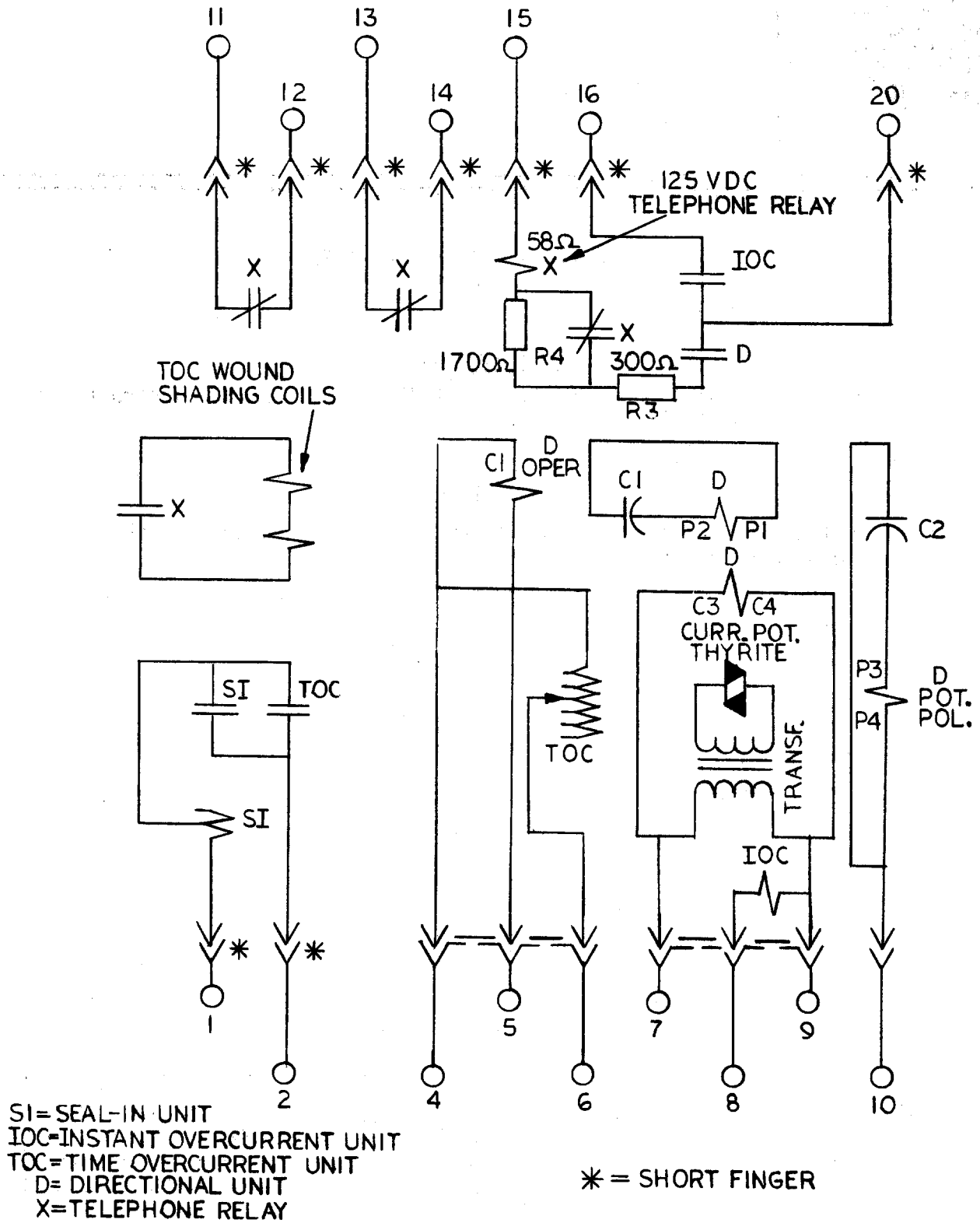


Fig. 1 (0275A2015-1) Internal Connections (Front View)