



INSTRUCTIONS

GEK-86647
Insert Booklet GEK-49949

TIME OVERCURRENT RELAY TYPE IFC

MODEL 12IFC99AC(-)A

INTRODUCTION

This instruction book, together with insert booklet GEK-49949, forms the instructions for the 12IFC99AC(-)A relays.

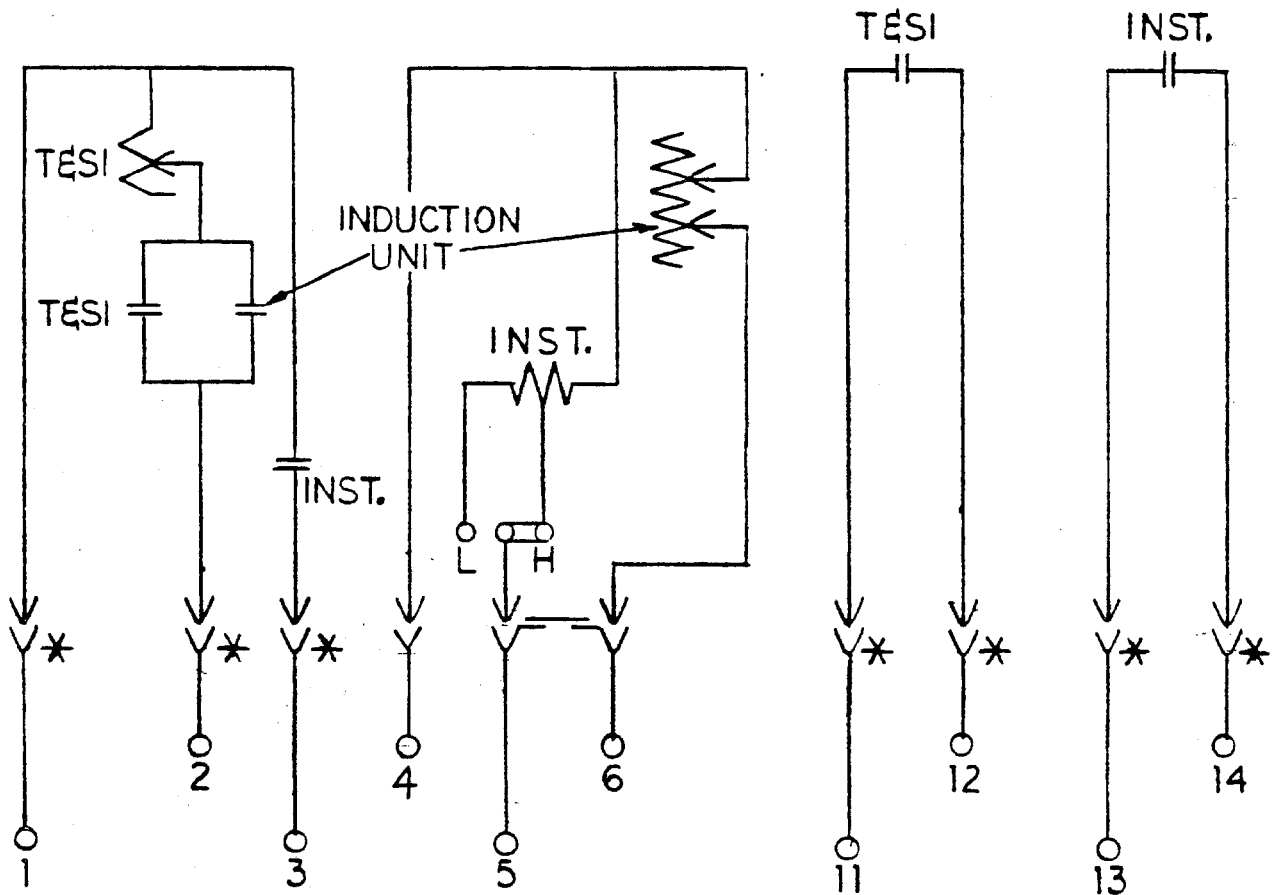
DESCRIPTION

The 12IFC99AC(-)A relay is similar to the 12IFC66BD(-)A relay except that it has a stud 4 connection in the case.

Figure 1 is the internal connection diagram for the 12IFC99AC(-)A relay.

These instructions do not purport to cover all details or variations in equipment nor to provide for every possible contingency to be met in connection with installation, operation or maintenance. Should further information be desired or should particular problems arise which are not covered sufficiently for the purchaser's purposes, the matter should be referred to the General Electric Company.

To the extent required the products described herein meet applicable ANSI, IEEE and NEMA standards; but no such assurance is given with respect to local codes and ordinances because they vary greatly.



INSTANTANEOUS SETTINGS:

SET LINK TO "H" FOR HIGH RANGE AND TO "L" FOR LOW RANGE. LINK SHOWN IN HIGH RANGE POSITION.

*=SHORT FINGER

Figure 1 (0285A8293-0) Internal Connections Diagram for the 12FIC99AC(-)A Relay