



INSTRUCTIONS

GEI-98336A
Insert Book GEH-1789
Supersedes GEI-98336

BALANCED-CURRENT RELAY

TYPE IJC51D

INTRODUCTION

These instructions are a supplement to instruction book GEH-1789 which is included in this book. The combination of the two form instructions for the IJC51D relay

DESCRIPTION

* The IJC51D relay is quite similar to the IJC51B relay. The only difference is that the slope characteristic can be chosen by means of taps to be either 120, 130, or 150 percent. With eight amperes operating current and no restraint current, the operating time will be 2.5 seconds from the No. 10 time dial setting, regardless of slope percentage.

CONNECTIONS

The internal connections may be seen in Fig. 1 of this supplement. The outline and panel drilling dimensions are shown in Fig. 9 of the included instruction book, GEK-1789.

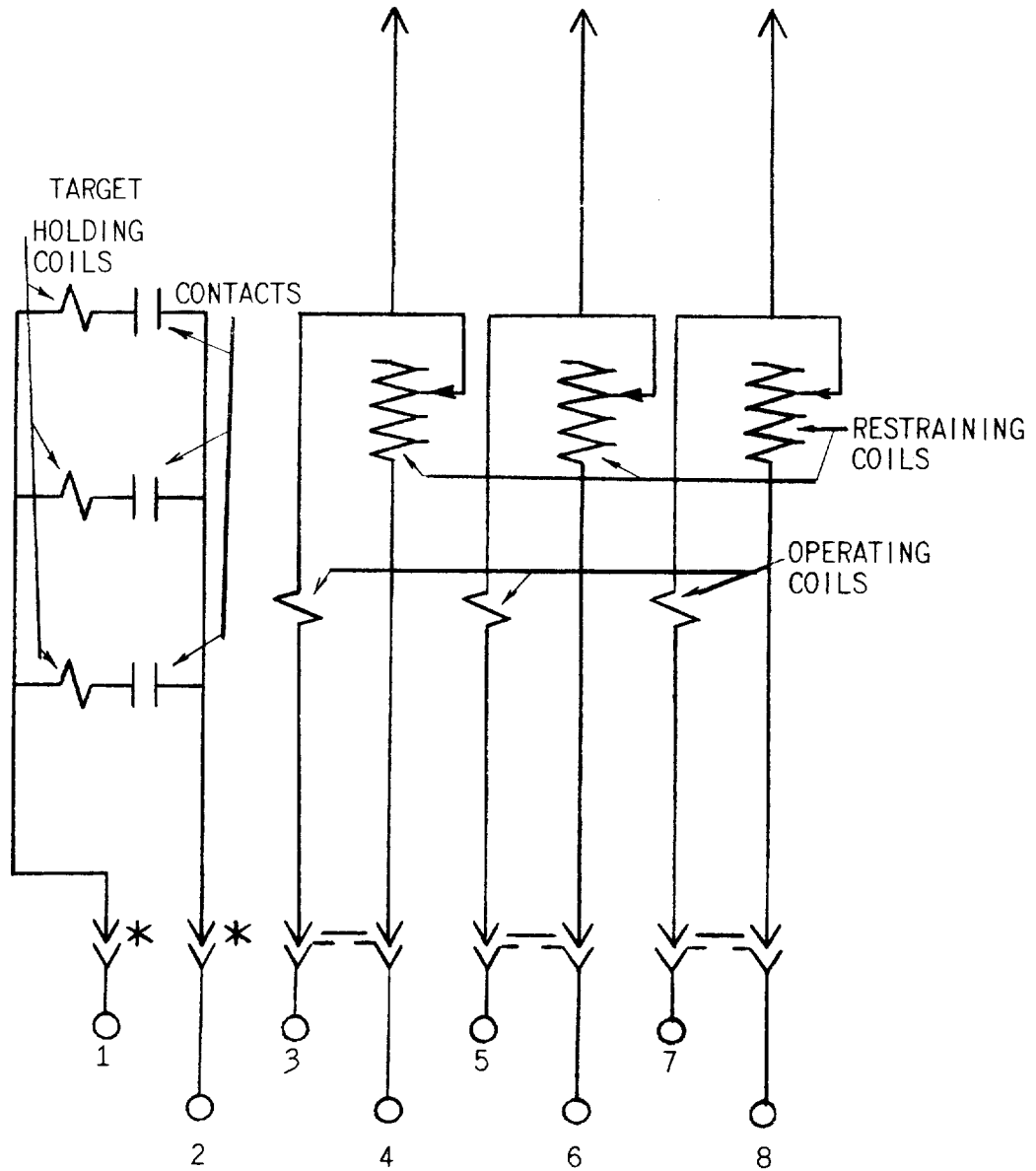
RESTRAINT BURDEN

| <u>SLOPE %</u> | <u>Z</u> | <u>P.F.</u> | <u>VA</u> |
|----------------|-----------|-------------|-----------|
| 120 | 0.370 ohm | 0.34 | 9.30 |
| 130 | 0.445 ohm | 0.34 | 11.10 |
| 140 | 0.508 ohm | 0.34 | 12.70 |
| 150 | 0.593 ohm | 0.34 | 14.85 |

These instructions do not purport to cover all details or variations in equipment nor to provide for every possible contingency to be met in connection with installation, operation or maintenance. Should further information be desired or should particular problems arise which are not covered sufficiently for the purchaser's purposes, the matter should be referred to the General Electric Company.

To the extent required the products described herein meet applicable ANSI, IEEE and NEMA standards; but no such assurance is given with respect to local codes and ordinances because they vary greatly.

*Indicates Revision



*=SHORT FINGER

Fig. 1 (0178A8167-0) Internal Connection Diagram for Relay Type IJC51D (Front View)