



# INSTRUCTIONS

GEI-68761C  
Supersedes GEI-68761B  
Insert Book GEH-2026

NEGATIVE PHASE-SEQUENCE OVERCURRENT RELAY  
TYPE INC77R

---

GENERAL  ELECTRIC

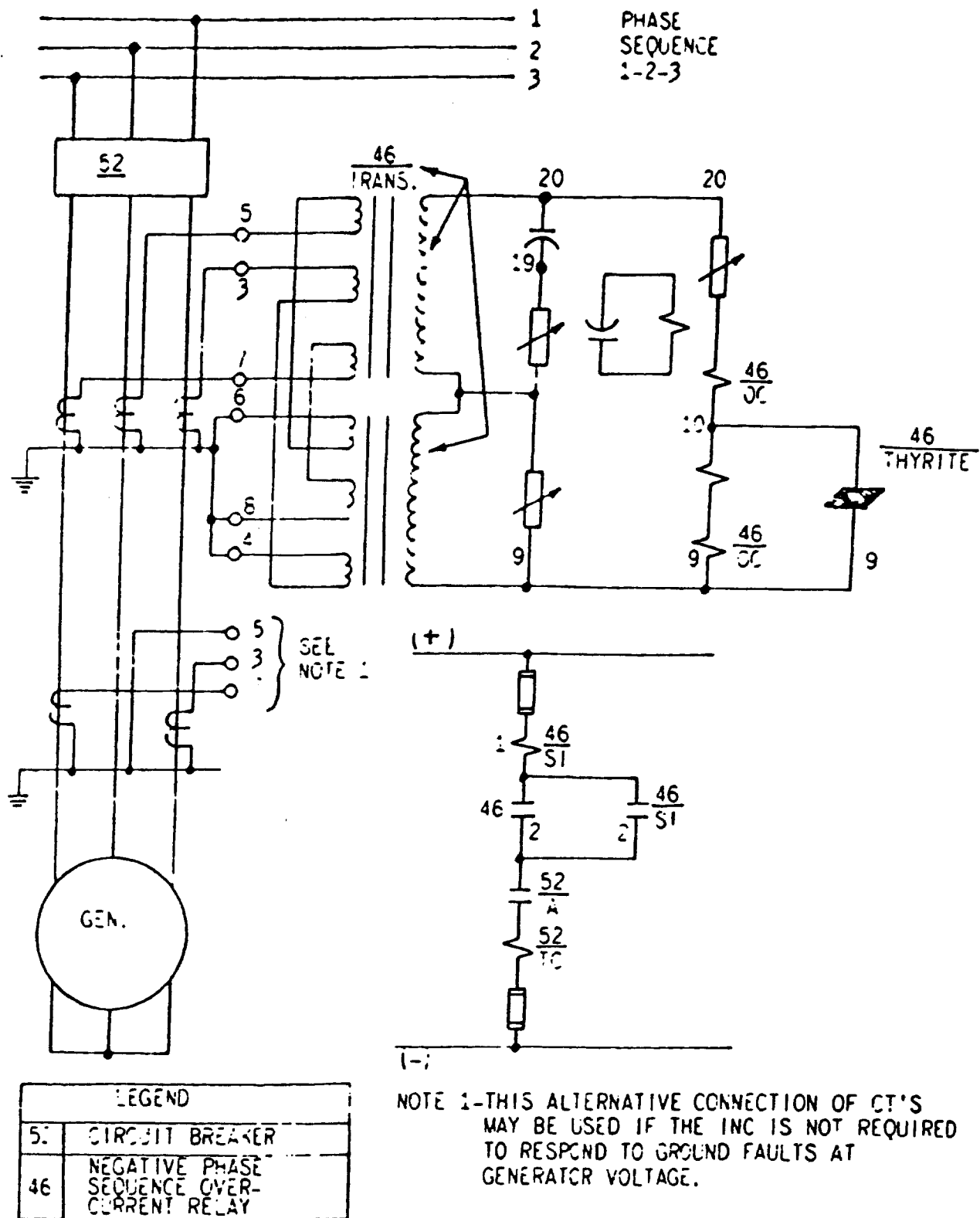


Fig. 1 (0104A8994-1) Typical External Connection Diagram for INC77R Relay

GEI-68761

## NEGATIVE PHASE-SEQUENCE OVERCURRENT RELAY

### TYPE INC77R

### INTRODUCTION

These instructions supplement instruction book GEH-2026. The combination of the two form the instructions for the INC77R relay.

The INC77R relay is similar to the INC77B relay except for the omission of the sensitive alarm circuit and the timing unit. Also, an external capacitor is used (similar to the INC77B relay except forms 1 and 3).

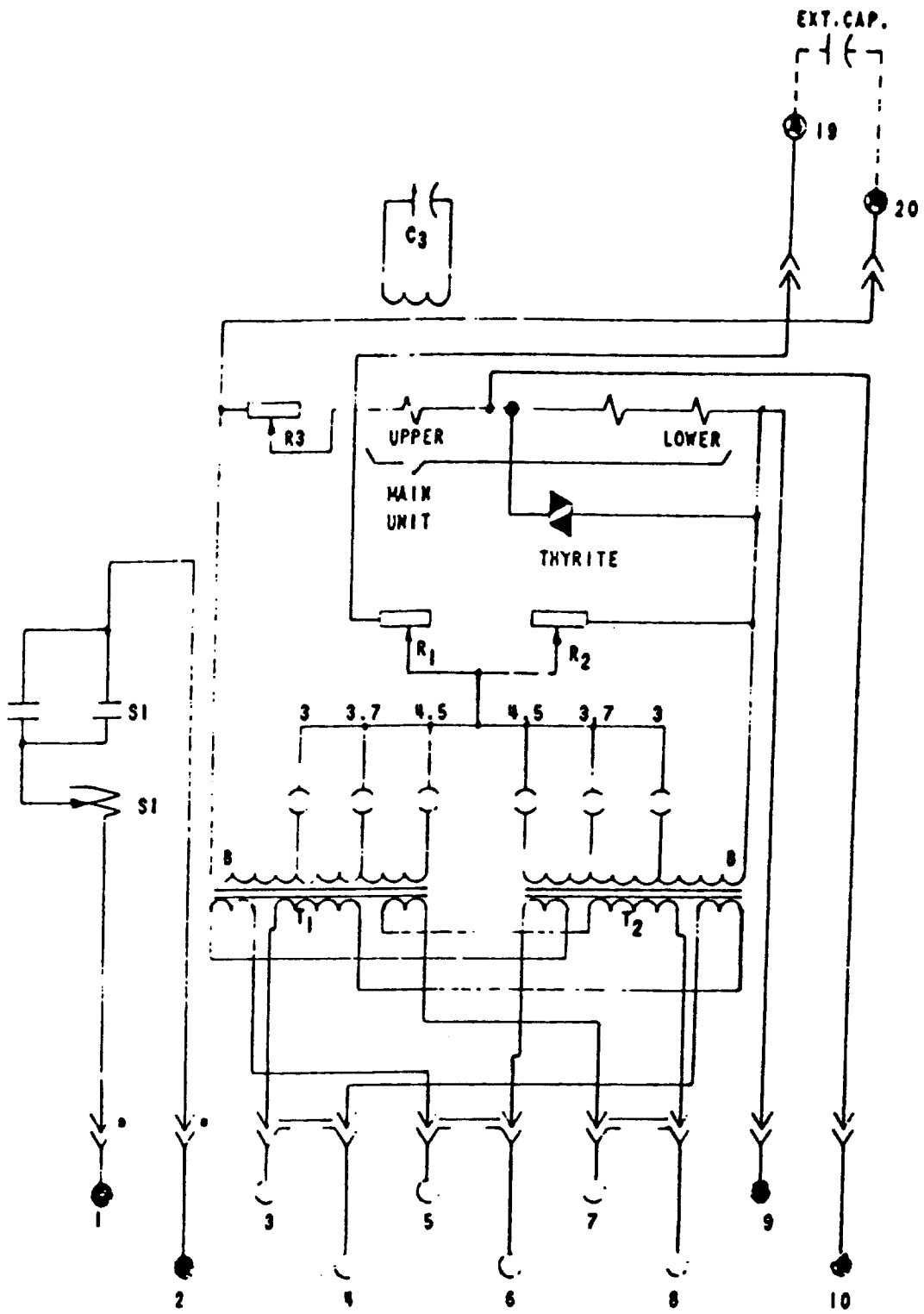
### INSTALLATION

The outline and panel drilling dimensions are shown in Fig. 4 of this supplement. The outline of the external capacitor is shown in Fig. 3.

The external and internal wiring diagrams are shown in Figs. 1 and 2.

*These instructions do not purport to cover all details or variations in equipment nor to provide for every possible contingency to be met in connection with installation, operation or maintenance. Should further information be desired or should particular problems arise which are not covered sufficiently for the purchaser's purposes, the matter should be referred to the General Electric Company.*

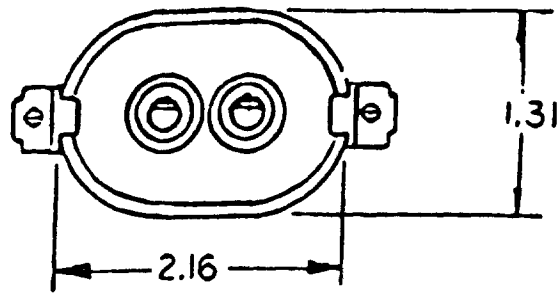
*To the extent required the products described herein meet applicable ANSI, IEEE and NEMA standards; but no such assurance is given with respect to local codes and ordinances because they vary greatly.*



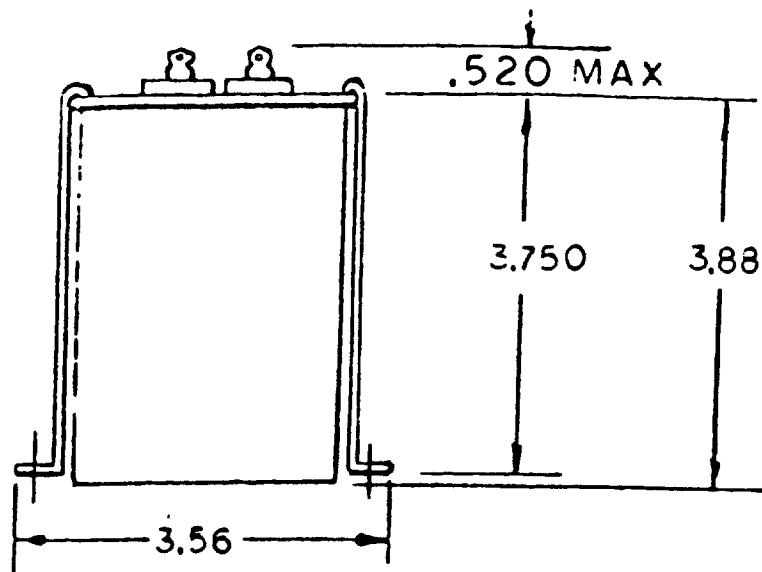
• = SHORT FINGER

Fig. 2 (0104A8991-1) Internal Wiring Diagram for INC77R Relay

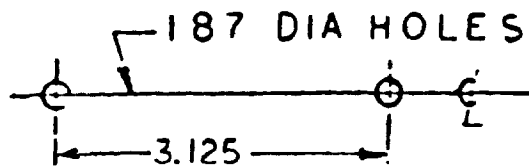
GEI-68761



PLAN VIEW



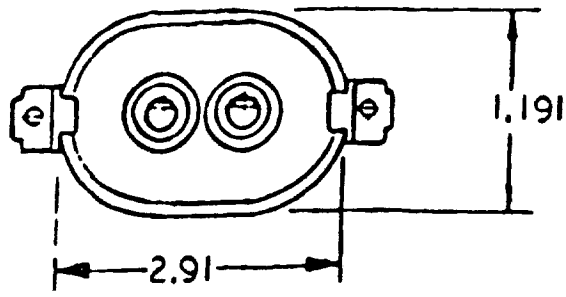
FRONT VIEW



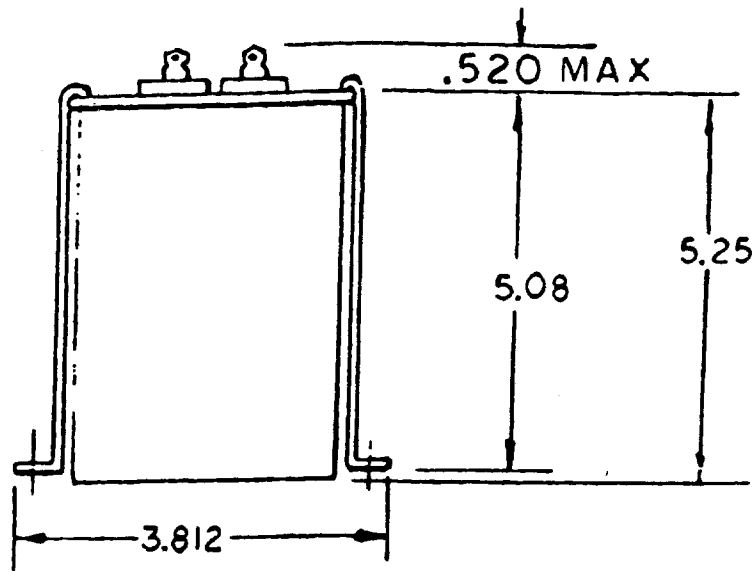
DRILLING PLAN

CAPACITOR 0246A9024 P0600B  
BRACKET 0302C0920 P115

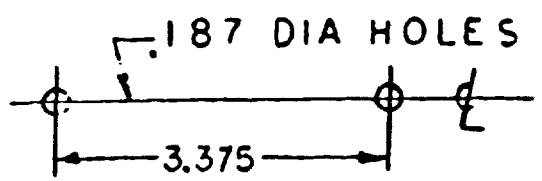
Fig. 3A (0275A4350-0) Outline of External Capacitor for  
60 Hertz Type INC77R Relay



PLAN VIEW



FRONT VIEW



DRILLING PLAN

CAPACITOR 0246A9025 F0800C  
 BRACKET 0302C0920 P153

Fig. 38 (0275A4351-0) Outline of External Capacitor for 50 Hertz Type INC77R Relay

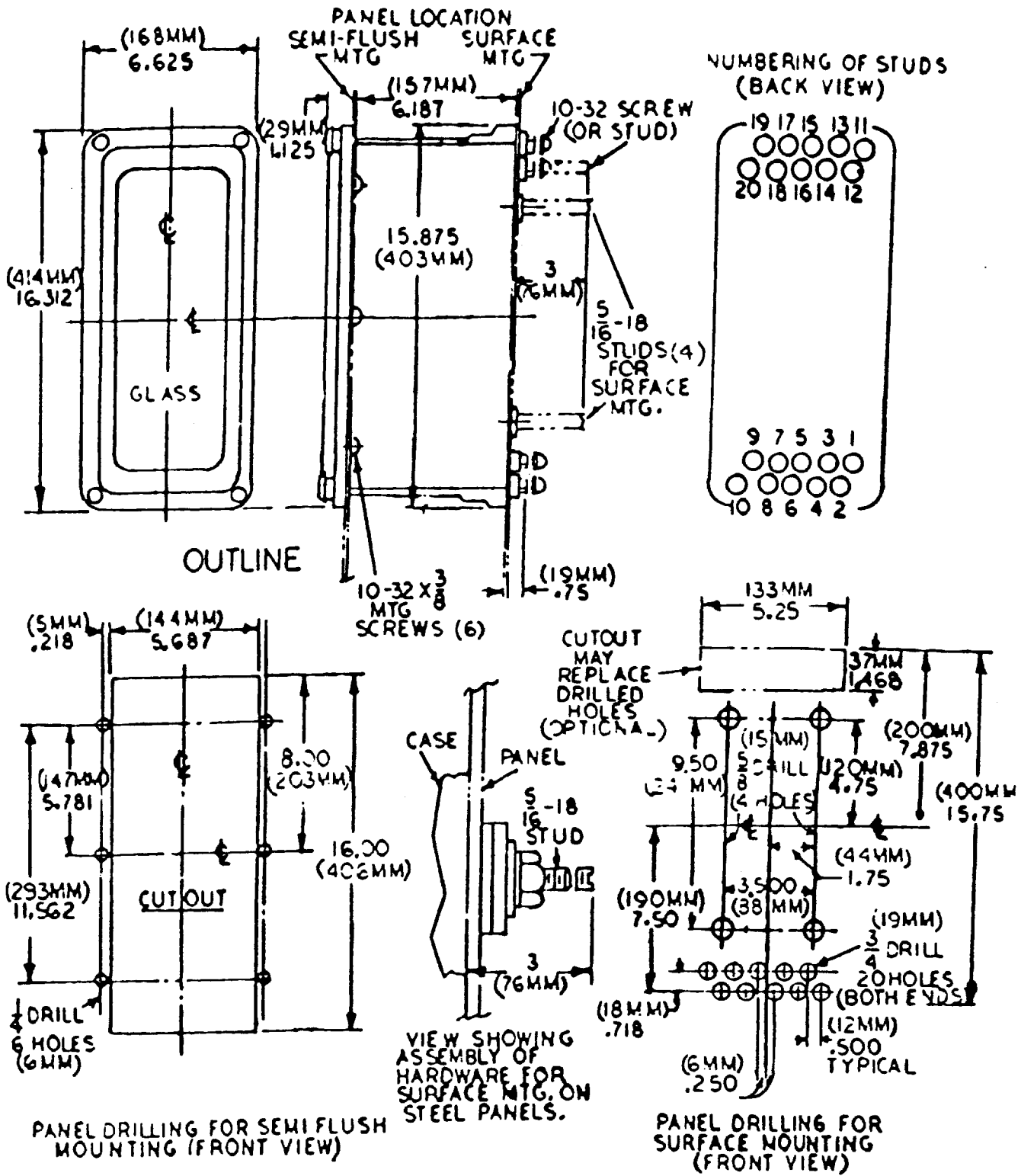


Fig. 4 (6209274-4) Outline and Panel Drilling Diagram



---

***GE Power Management***

215 Anderson Avenue  
Markham, Ontario  
Canada L6E 1B3  
Tel: (905) 294-6222  
Fax: (905) 201-2098  
[www.GEindustrial.com/pm](http://www.GEindustrial.com/pm)