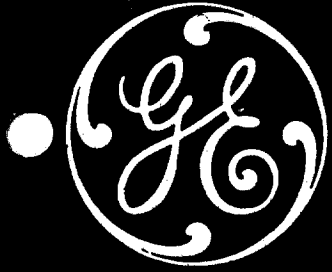


INSTRUCTIONS

GEI-68757



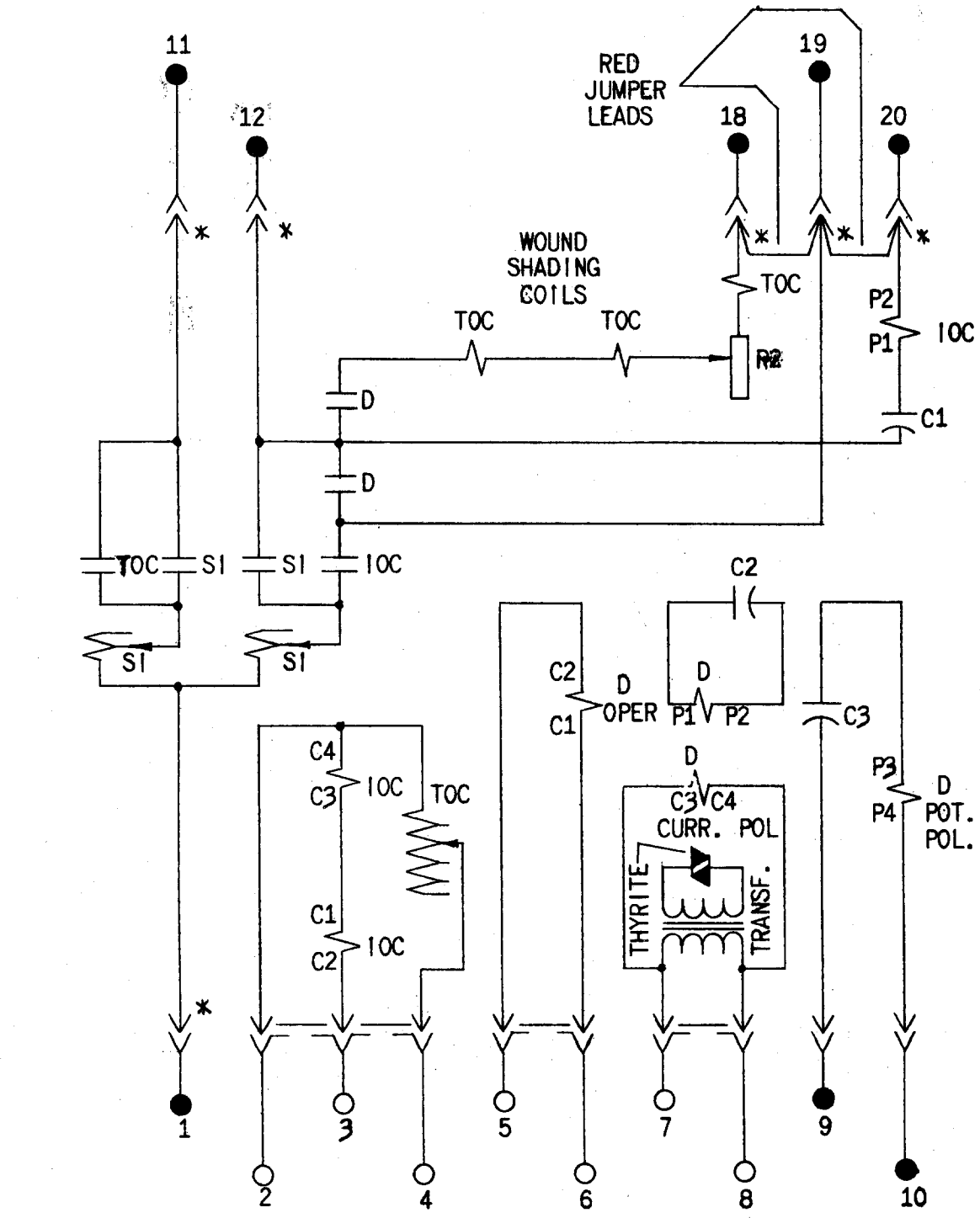
RELAYS

**GROUND DIRECTIONAL OVERCURRENT RELAY
TYPE JBCG53T26 AND UP**

POWER SYSTEMS MANAGEMENT DEPARTMENT

GENERAL  ELECTRIC

GEI-68757 Ground Directional Overcurrent Relay Type JBCG53T



IOC-INSTANT. OVERCURRENT UNIT (TOP)
 TOC-TIME OVERCURRENT UNIT (MIDDLE)
 D-DIRECTIONAL UNIT (BOTTOM)
 AI-SEAL-IN UNIT

* SHORT FINGER

Fig. 1 Internal Connection Diagram for Type JBCG53T Relay (Front View)

Fig. 1 (0104A8980-0)

GROUND DIRECTIONAL OVERCURRENT RELAY

TYPE JBCG53T26 AND UP

INTRODUCTION

The Type JBCG53T relay is similar to Type JBCG53E relay covered by the included instructions, GEH-2033. The combination of the two books forms instructions for the Type JBCG53T relay.

The Type JBCG53T relay differs only in that it has special internal connections.

INSTALLATION

The internal connection diagram is shown in Fig. 1 of this supplement.

The outline and panel drilling diagram is shown in Fig. 23 of the included instructions.

These instructions do not purport to cover all details or variations in equipment nor to provide for every possible contingency to be met in connection with installation, operation or maintenance. Should further information be desired or should particular problems arise which are not covered sufficiently for the purchaser's purposes, the matter should be referred to the General Electric Company.



GE Power Management

215 Anderson Avenue
Markham, Ontario
Canada L6E 1B3
Tel: (905) 294-6222
Fax: (905) 201-2098
www.GEindustrial.com/pm