



**RECLOSING BLOCKING AUXILIARY RELAY**

**0208A8419**

**TYPE NAA RELAY**

**INTRODUCTION**

This supplement in addition to GEI-31073 constitutes the instructions for 0208A8419 type NAA relay.

**DESCRIPTION**

Special relay 0208A8419 is similar to the NAA21D except for the following particulars:

1. Relay unit 79Y is omitted.
2. Relay units 79X1, 79X2, and 79X3 will pick up in 8 milliseconds and drop out in 33 milliseconds or more.
3. The internal connections are as shown in figure 1 of this supplement.
4. The capacitors in parallel with the tripping diodes have been omitted at the request of the customer. This omission will decrease the relay's resistance to high voltage transients.

These instructions do not purport to cover all details or variations in equipment nor to provide for every possible contingency to be met in connection with installation, operation or maintenance. Should further information be desired or should particular problems arise which are not covered sufficiently for the purchaser's purposes, the matter should be referred to the General Electric Company.

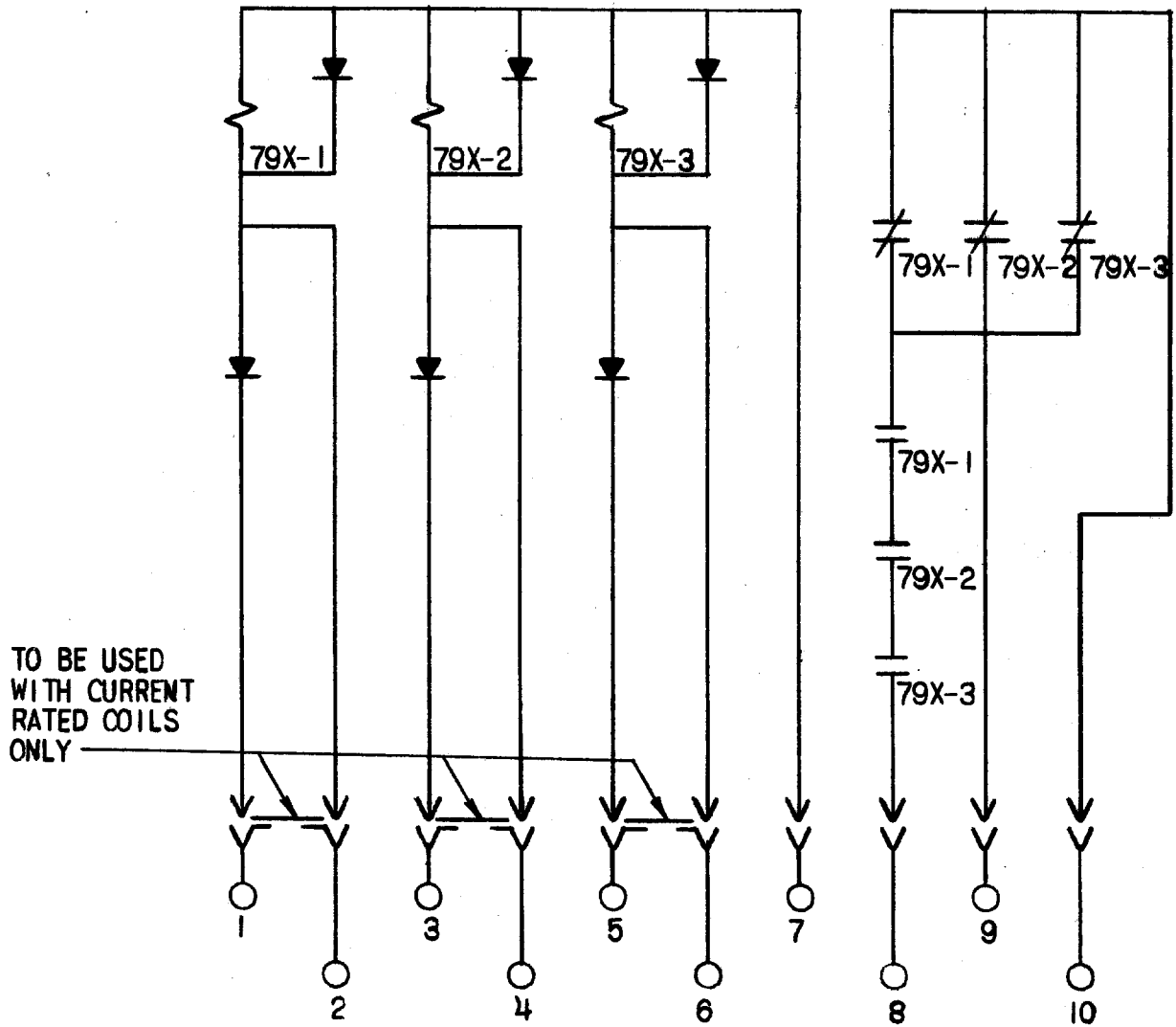


FIG. 1 (0246A3664) Internal Connections For 0208A8419