



---

RECLOSING BLOCKING AUXILIARY RELAY

12NAA99AC001A

TYPE NAA RELAY

INTRODUCTION

This supplement in addition to GEI- 31073 constitutes the instructions for the 12NAA99AC001A relay.

DESCRIPTION

Special relay 12NAA99AC001A is similar to the NAA21D except for the following particulars.

1. Relay unit 79Y is omitted.
2. Relay units 79X1, 79X2 and 79X3 will pick up in 8 milliseconds and drop out in 33-40 milliseconds.
3. The internal connections are as shown in Figure 1 of this supplement.

These instructions do not purport to cover all details or variations in equipment nor to provide for every possible contingency to be met in connection with installation, operation or maintenance. Should further information be desired or should particular problems arise which are not covered sufficiently for the purchaser's purposes, the matter should be referred to the General Electric Company.

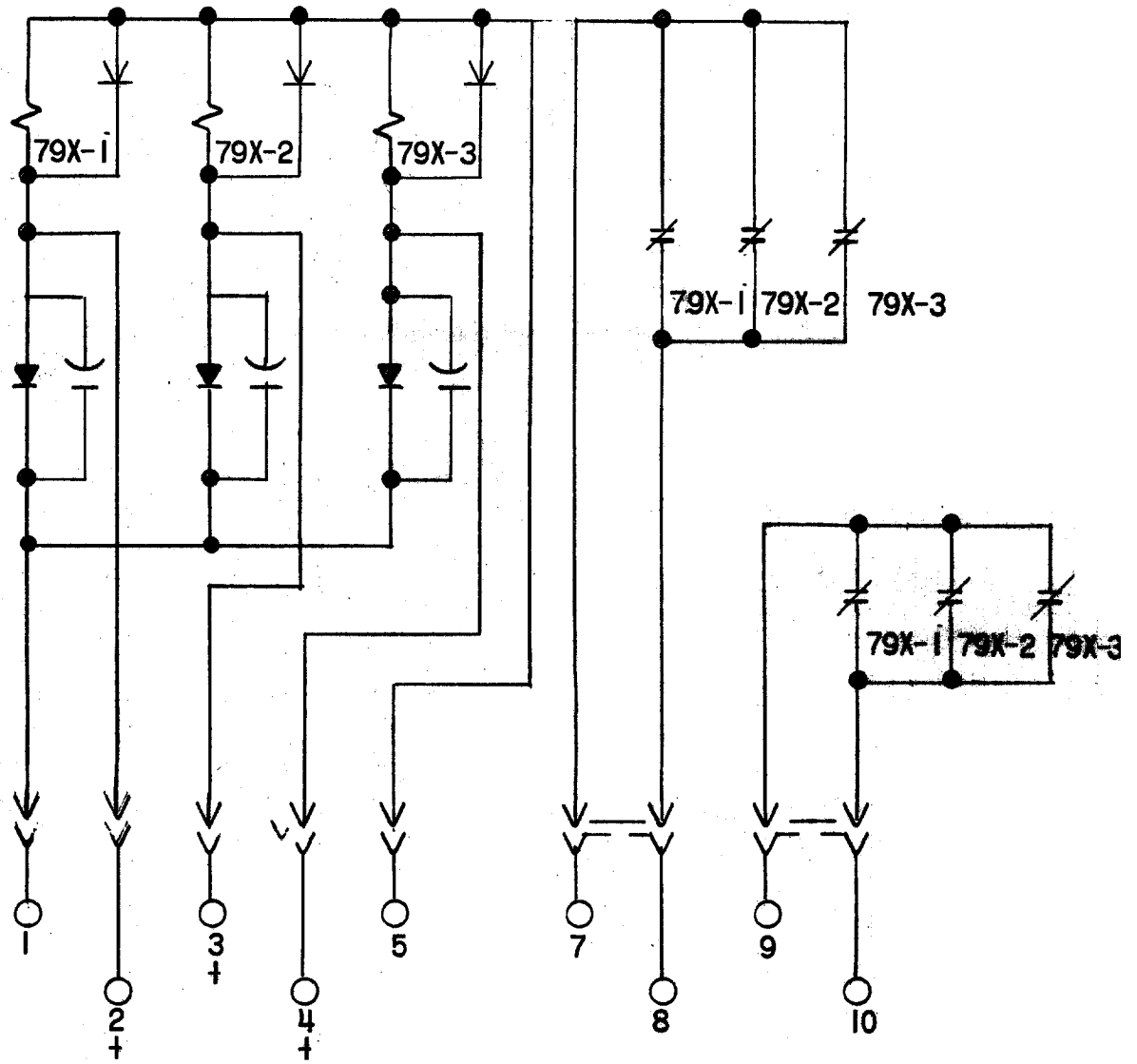


Fig. 1 (0257A5081-0) INTERNAL CONNECTION DIAGRAM FOR SPECIAL RELAY 12NAA99AC001A RELAY