



INSTRUCTIONS

GEK-45439

Insert Booklet GEK-34092

GROUND DISTANCE AUXILIARY RELAY

TYPE NAA

MODEL 12NAA99AI(-)A

INTRODUCTION

These instructions plus those included in GEK-34092 form the instructions for this relay.

DESCRIPTION

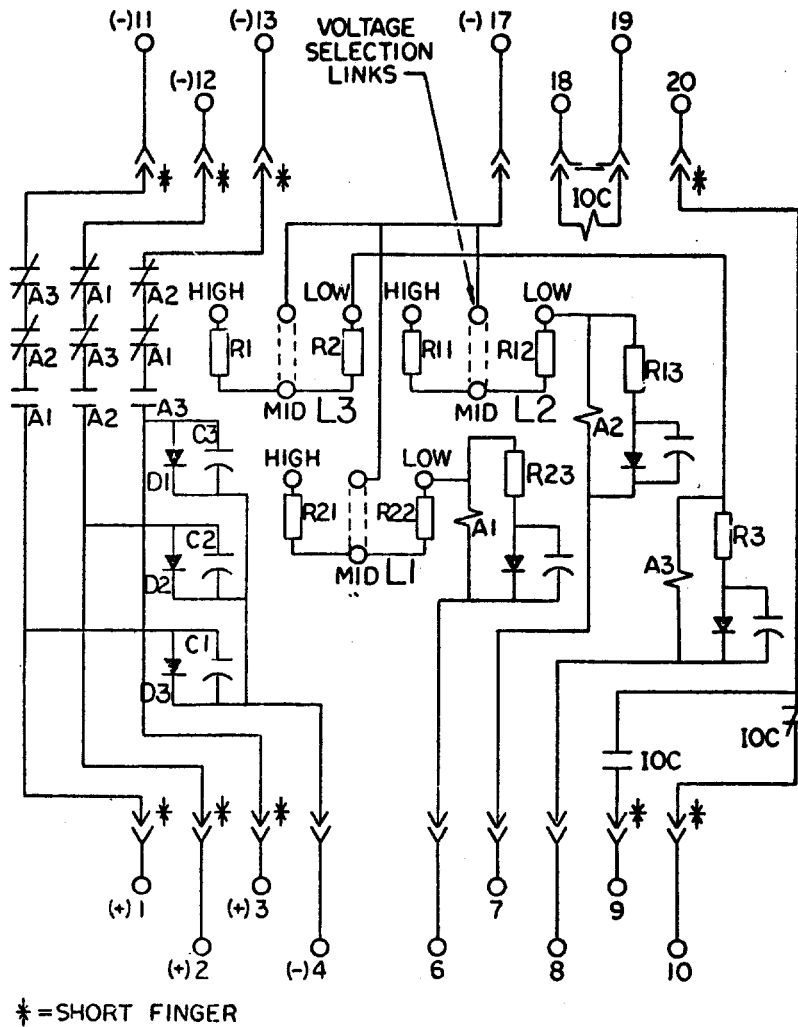
The NAA99AI(-)A relay is similar to the NAA15G(-)A relay except a normally closed contact is substituted between studs 10-20. Figure 1 of this supplement shows the internal connections diagram.

These instructions do not purport to cover all details or variations in equipment nor to provide for every possible contingency to be met in connection with installation, operation or maintenance. Should further information be desired or should particular problems arise which are not covered sufficiently for the purchaser's purposes, the matter should be referred to the General Electric Company.

POWER SYSTEMS MANAGEMENT DEPARTMENT

GENERAL  ELECTRIC

PHILADELPHIA, PA.



MODEL	FORM		
12NAA99AI001A	001		
VOLTS D. C.	48/125/ 250		
RESISTANCE IN OHMS			
A1 COIL	300		
A2 COIL	300		
A3 COIL	300		
R1,R11,R21	1.5 K		
R2,R12,R22	1.5 K		
R3,R13,R23	5K		
CAPACITANCE VALUE			
C1,C2,C3	0.5 μ f		
RECTIFIER VALUE			
D1,D2,D3	10A		

FIG. 1 (0257A9600-0 SHT. 1&2) Internal Connections for Special Relay NAA99AI(-)A