



INSTRUCTIONS

GEK-65678
Insert Booklet GEK-1272

TRANSFERRED TRIP AUXILIARY RELAY

TYPE NAA99AR(-)A

INTRODUCTION

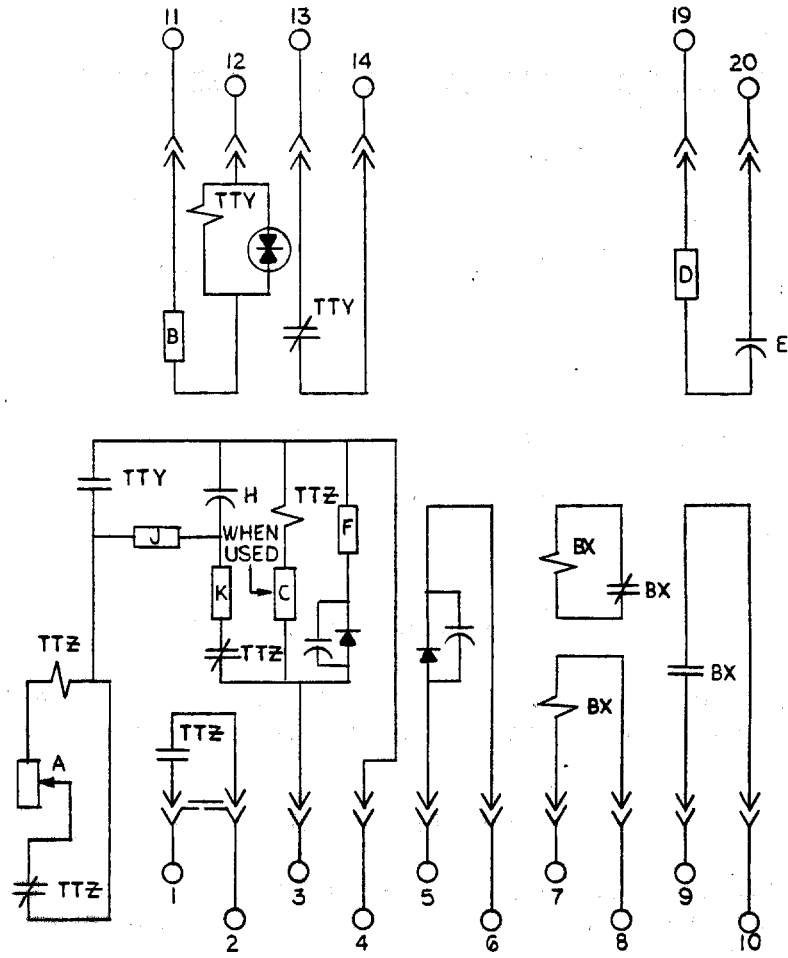
These instructions plus those included in instruction book GEK-1272 form the complete instructions for the NAA99AR(-)A type relays.

DESCRIPTION

The 12NAA99AR001A relay is similar to the 12NAA27N32A relay except the TTY normally open "a" contact between terminals 13 and 14 has been replaced by a TTY normally closed "b" contact.

These instructions do not purport to cover all details or variations in equipment nor to provide for every possible contingency to be met in connection with installation, operation or maintenance. Should further information be desired or should particular problems arise which are not covered sufficiently for the purchaser's purposes, the matter should be referred to the General Electric Company.

To the extent required the products described herein meet applicable ANSI, IEEE and NEMA standards; but no such assurance is given with respect to local codes and ordinances because they vary greatly.



MODEL	RATED	BX		TTY		TTZ		A	B	C	D	E	F	G	H	J
		P.U. (SEC)	OHMS	P.U. (SEC)	OHMS	P.U. (SEC)	OHMS									
12NAA99AR 001A	125	.070	12.6K	.002	11K	.012 .025	2.5K	25K	20K		150	.25	10K	10K	2.0	100

Fig. 1 (0285A5836-0) Internal Connection Diagram for Relay Type NAA99AR (Front View)