

INSTRUCTIONS

GEK-65685
Insert Booklet GEI-83945

TRANSFER TRIP AUXILIARY RELAY

TYPE NAA

MODEL 12NAA99AS(-)A

INTRODUCTION

These instructions along with the insert book GEI-83945, form the instructions for the 12NAA99AS(-)A relay.

DESCRIPTION

The 12NAA99AS(-)A relay is similar to the 12NAA27M(-)A relay except for the internal connection diagram, Fig. 1, of the book and the following settings on the TX unit.

Pickup Time - 8 to 16 milliseconds

Drop-out Time - 100 milliseconds \pm 10 milliseconds when the coil and resistor has been energized for 0.032 seconds at 125 VDC

These instructions do not purport to cover all details or variations in equipment nor to provide for every possible contingency to be met in connection with installation, operation or maintenance. Should further information be desired or should particular problems arise which are not covered sufficiently for the purchaser's purposes, the matter should be referred to the General Electric Company.

To the extent required the products described herein meet applicable ANSI, IEEE and NEMA standards; but no such assurance is given with respect to local codes and ordinances because they vary greatly.

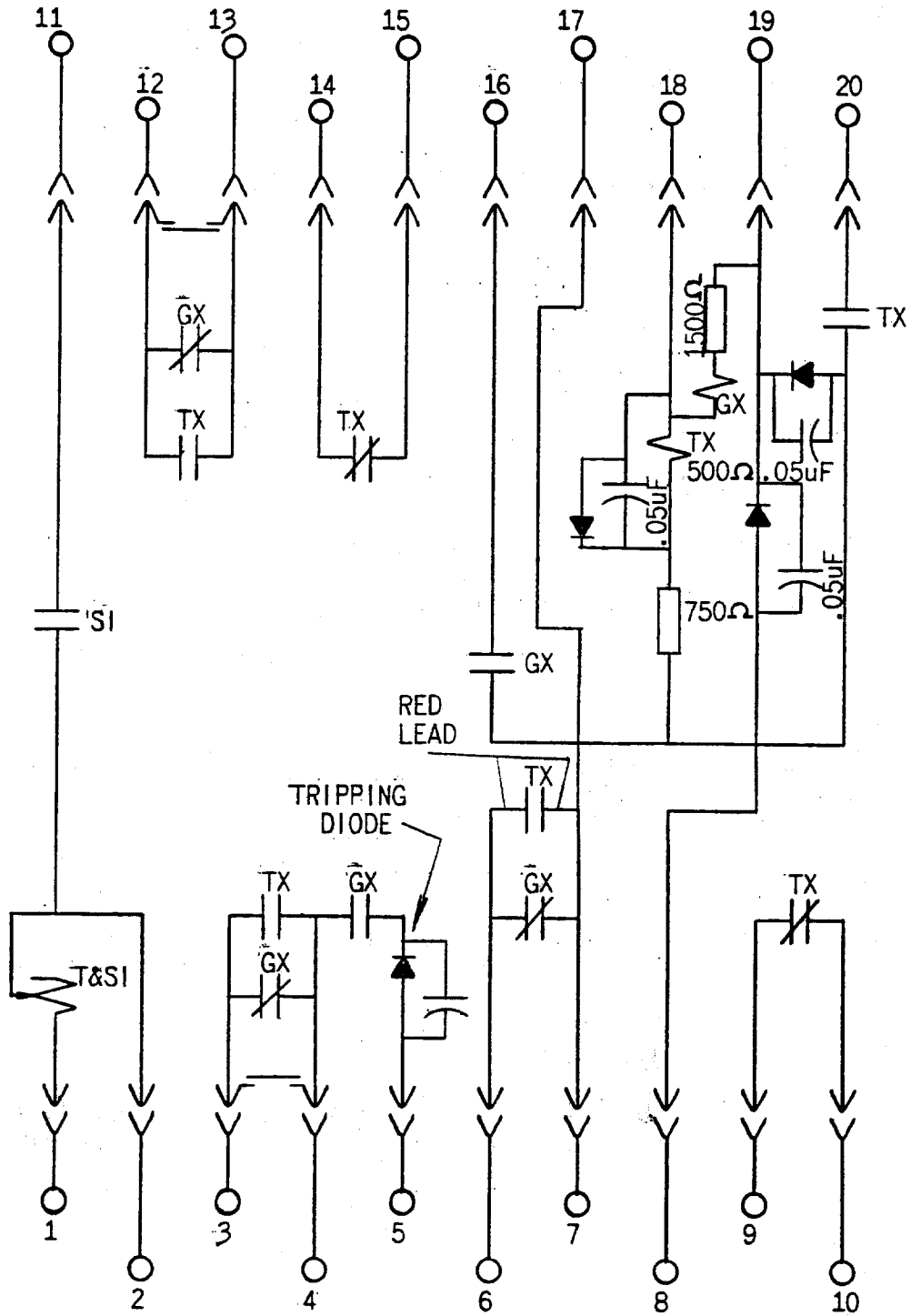


Fig. 1 (0208A2344-0) Internal Connections Diagram for the 12NAA99AS(-)A Relay