



## INSTRUCTIONS

GEK-86652  
Insert Booklet GEK-34092

### GROUND DISTANCE AUXILIARY RELAY

TYPE NAA  
MODEL 12NAA99AU(-)A

#### INTRODUCTION

This instruction book, together with insert booklet GEK-34092, forms the instructions for the 12NAA99AU(-)A relays.

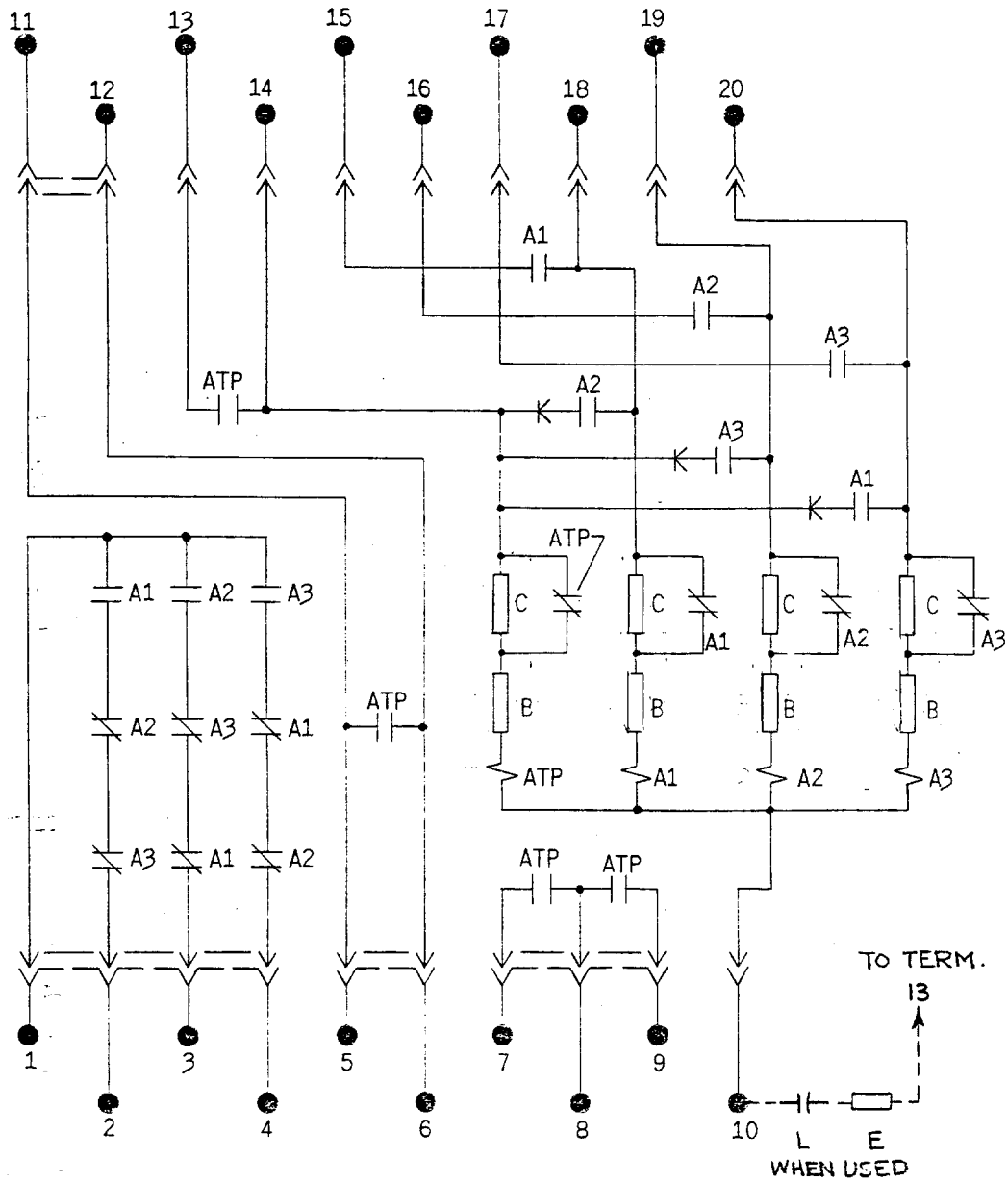
#### DESCRIPTION

The 12NAA99AU(-)A relay is similar to the 12NAA15G(-)A relay, except the internal connections diagram is different, as shown in Figure 1 of this booklet. Also, there is no IOC unit - the relay has an ATP telephone relay.

<u>UNITS</u>	<u>PICKUP V</u>	<u>PICKUP TIME</u>	<u>DROPOUT TIME</u>
ATP	80% rated V or less	5 ms or less	--
A1, A2, A3	80% rated V or less	5 ms or less	5 ms or less

*These instructions do not purport to cover all details or variations in equipment nor to provide for every possible contingency to be met in connection with installation, operation or maintenance. Should further information be desired or should particular problems arise which are not covered sufficiently for the purchaser's purposes, the matter should be referred to the General Electric Company.*

*To the extent required the products described herein meet applicable ANSI, IEEE and NEMA standards; but no such assurance is given with respect to local codes and ordinances because they vary greatly.*



MODEL	DC VOLTS	RESISTANCE IN OHMS							MFD
		ATP	A1	A2	A3	B	C	E	
452A745 G1	110	58	58	58	58	250	1700	250	12
452A745 G2	220	58	58	58	58	700	3400	500	6
452A745 G3	125	58	58	58	58	300	1700	250	10
452A745 G4	250	58	58	58	58	800	3400	500	5
12NAA99AU001A	125	58	58	58	58	300	1700	250	10

Figure 1 (0418A966) Internal Connections Diagram for the 12NAA99AU(-)A Relay