



MULTILIN

INSTRUCTIONS

NGV99AS

UNDERVOLTAGE RELAY WITH A DROPOUT RANGE BETWEEN 15 AND 25 VOLTS.

INTRODUCTION

These instructions plus those included with book GEI-98305 form the instructions for the NGV99AS.

DESCRIPTION

The 12NGV99AS is similar to the 12NGV18A DC Undervoltage relay described in GEI-98305 with the following exceptions:

1. The relay has 2 normally open and two normally closed electrically separate contacts.

2. The internal connections are shown in figure 1 of this supplement. The relay has an additional zener diode (ZD2) in parallel with the operating coil used to limit the maximum coil voltage and allow an increased continuous rating.
3. The voltage ratings, calibrating ranges and dropout to pickup voltage ratios for model 12NGV99AS are given in the table below.

MODEL	VOLTS DC CONT.	VOLTS DC 30 SEC.	RANGE OF DROPOUT ADJUSTMENT	RATIO OF DROPOUT TO PICKUP VOLTS
NGV99AS	100	200	15 - 25 VOLTS	90% MIN

These instructions do not purport to cover all details or variations in equipment nor provide for every possible contingency to be met in connection with installation, operation or maintenance. Should further information be desired or should particular problems arise which are not covered sufficiently for the purchaser's purposes, the matter should be referred to the General Electric Company. To the extent required the products described herein meet applicable ANSI, IEEE and NEMA standards; but no such assurance is given with respect to local codes and ordinances because they vary greatly

NGV99AS

FORM	VOLTS				
		R1	R2	R3	
1	100 CONT 200-30 SEC	500	1K	1.5K	

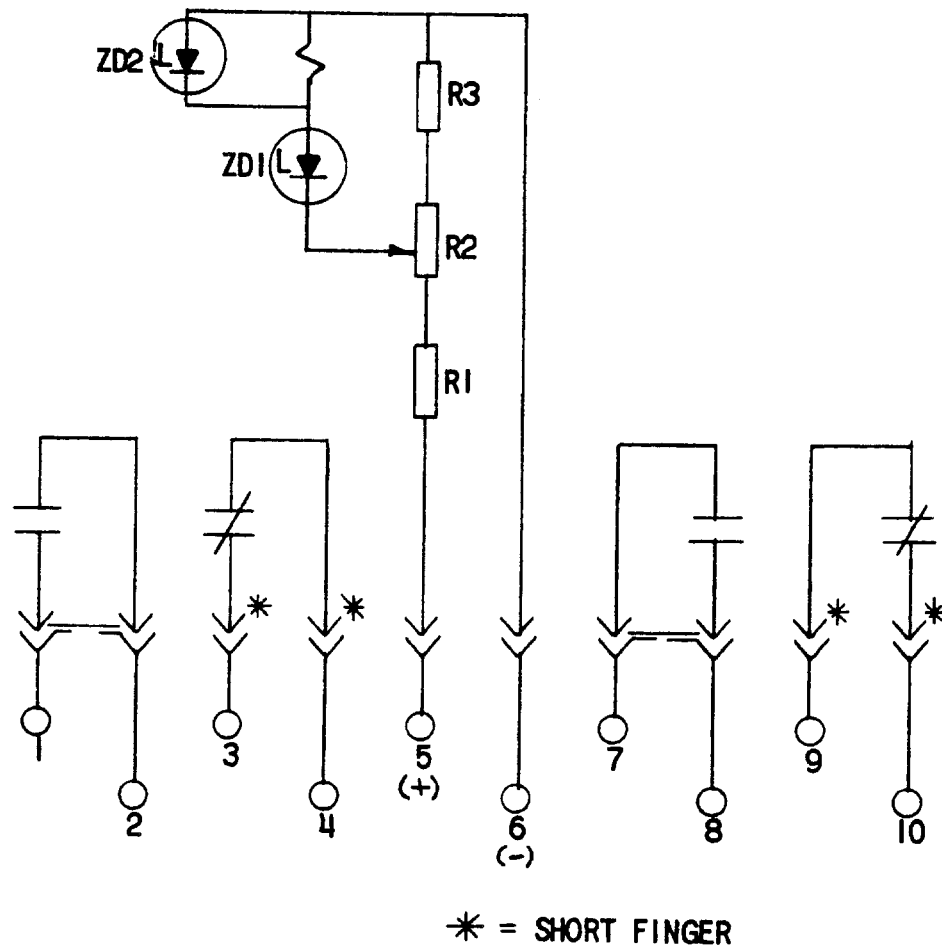


FIG 1 (0358A1440-1) INTERNAL CONNECTIONS DIAGRAM FOR NGV99AS RELAY