

INSTRUCTIONS

GEK-26418
Insert Booklet-GEI-98305



AUXILIARY RELAY

TYPE NGV26A

DESCRIPTION

This instruction sheet in addition to the attached booklet comprise the instructions for the auxiliary relay type NGV26A.

Relays type NGV26A are similar to the NGV18A relays discussed in the attached except for the following.

1. These relays have two N.O. contacts and two N.C. contacts.
2. Figure one represents the internal connections diagram.

All other information is applicable as discussed in the attached book.

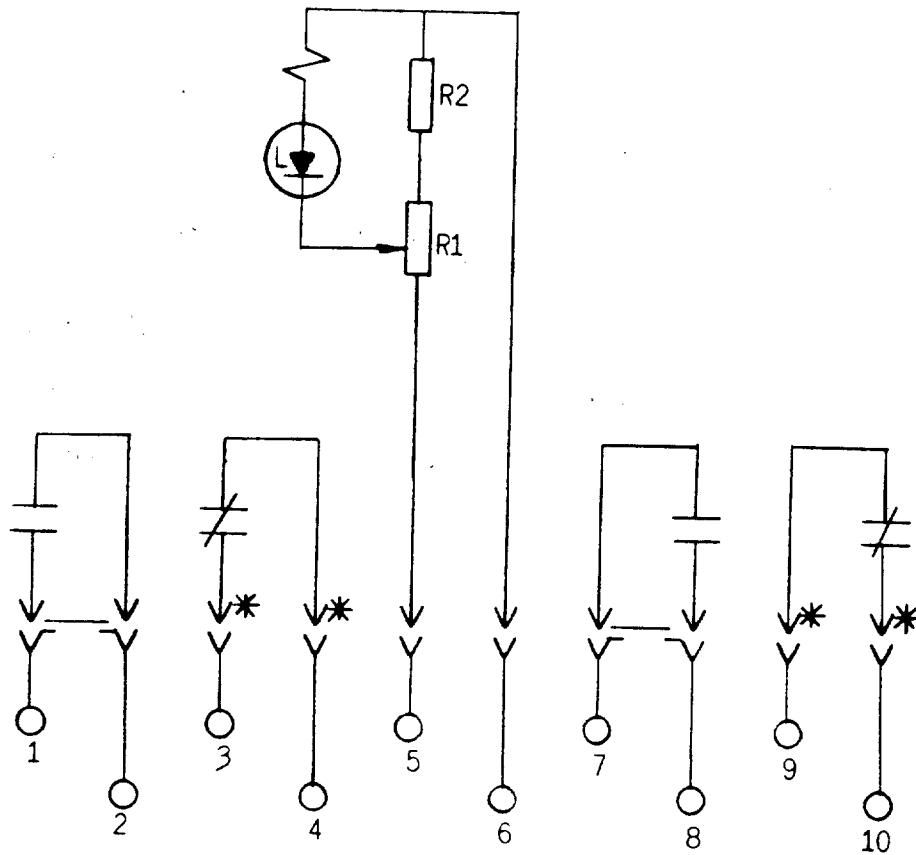
These instructions do not purport to cover all details or variations in equipment nor to provide for every possible contingency to be met in connection with installation, operation or maintenance. Should further information be desired or should particular problems arise which are not covered sufficiently for the purchaser's purposes, the matter should be referred to the General Electric Company.

POWER SYSTEMS MANAGEMENT DEPARTMENT

GENERAL  ELECTRIC

PHILADELPHIA, PA.

12NGV26A(-)A					
FORM	VOLTS	RESISTANCE			
		R1	R2		
1	125	5K	7.5K		



*=SHORT FINGER

FIG. 1 (0226A6938-0) INTERNAL CONNECTIONS DIAGRAM FOR THE NGV26A RELAY