

D.C. UNDERVOLTAGE RELAY

TYPE NGV

MODEL 0208A8256

INTRODUCTION

These instructions plus those included in GEI-98305 form the instructions for this relay.

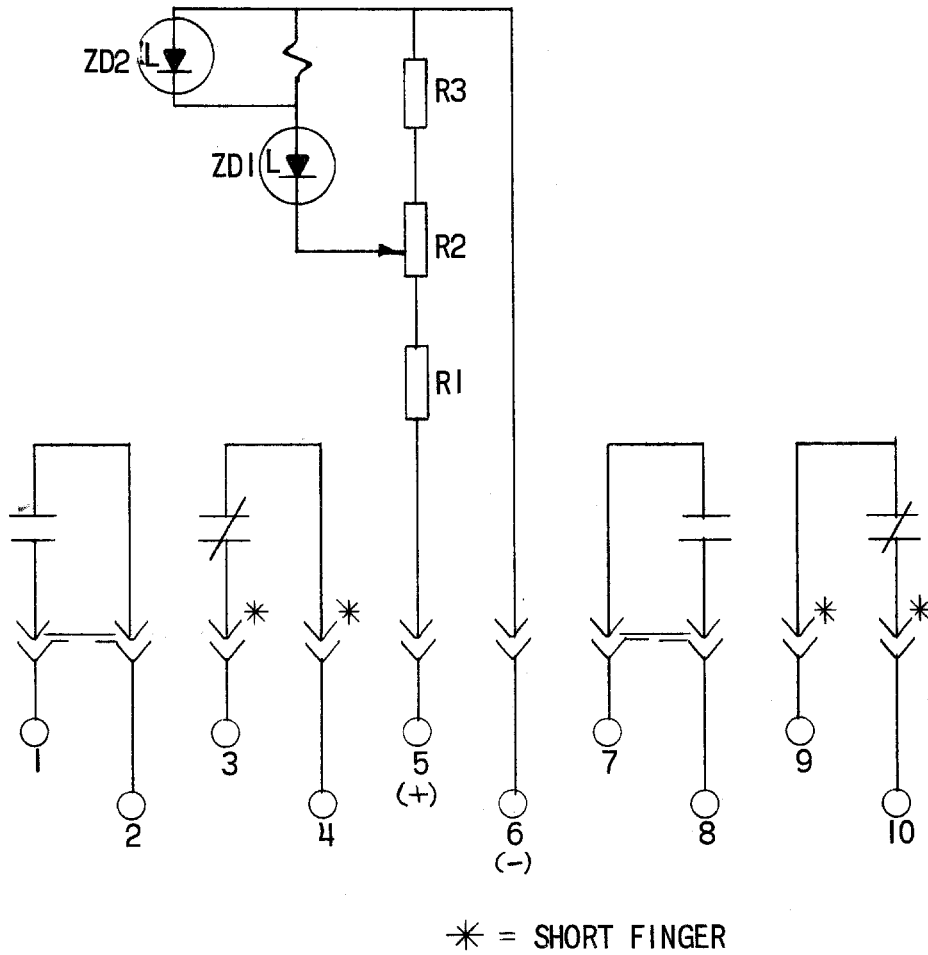
DESCRIPTION

Special relay 0208A8256 consists of a D.C. operated NGV type undervoltage unit mounted in a small single ended drawout (S1) case. This relay is similar to model 12NGV18A described in GEI-98305 except:

1. The relay has 2 normally open and two normally closed electrically separate contacts.
2. The internal connections are shown in figure 1 of this supplement. The relay has an additional zener diode in parallel with the operating coil (ZD2) used to limit the maximum coil voltage and allow an increased continuous rating.
3. The voltage ratings, calibrating ranges, and dropout to pickup voltage ratios for model 0208A8256 are given in the table below.

MODEL	VOLTS DC CONT.	VOLTS DC 30 SEC.	RANGE OF DROPOUT ADJUSTMENT	RATIO OF DROPOUT TO PICKUP VOLTS
0208A8256G1	100	200	25 - 35 VOLTS	90% MIN

These instructions do not purport to cover all details or variations in equipment nor to provide for every possible contingency to be met in connection with installation, operation or maintenance. Should further information be desired or should particular problems arise which are not covered sufficiently for the purchaser's purposes, the matter should be referred to the General Electric Company.



0 2 0 8 A. 8 2 5 6					
FORM	VOLTS	RESISTANCE			
		R1	R2	R3	
1	100 CONT 200-30 SEC	1K	1K	2K	

FIG. 1 (0227A7002-1) Internal Connections Diagram For The NGV 0208A8256 Relay (Front View)