



INSTRUCTIONS

GEK- 34048

Insert Booklet - GEI-90805

AC UNDERVOLTAGE RELAY

0208A8330

TYPE NGV RELAY

INTRODUCTION

This supplement in addition to GEI-90805 constitutes the instructions for the 0208A8330 type NGV relay.

DESCRIPTION

Special relay 0208A8330 is similar to the 12NGV11A except for the internal connections as shown in figure 1.

These instructions do not purport to cover all details or variations in equipment nor to provide for every possible contingency to be met in connection with installation, operation or maintenance. Should further information be desired or should particular problems arise which are not covered sufficiently for the purchaser's purposes, the matter should be referred to the General Electric Company.

GENERAL  ELECTRIC

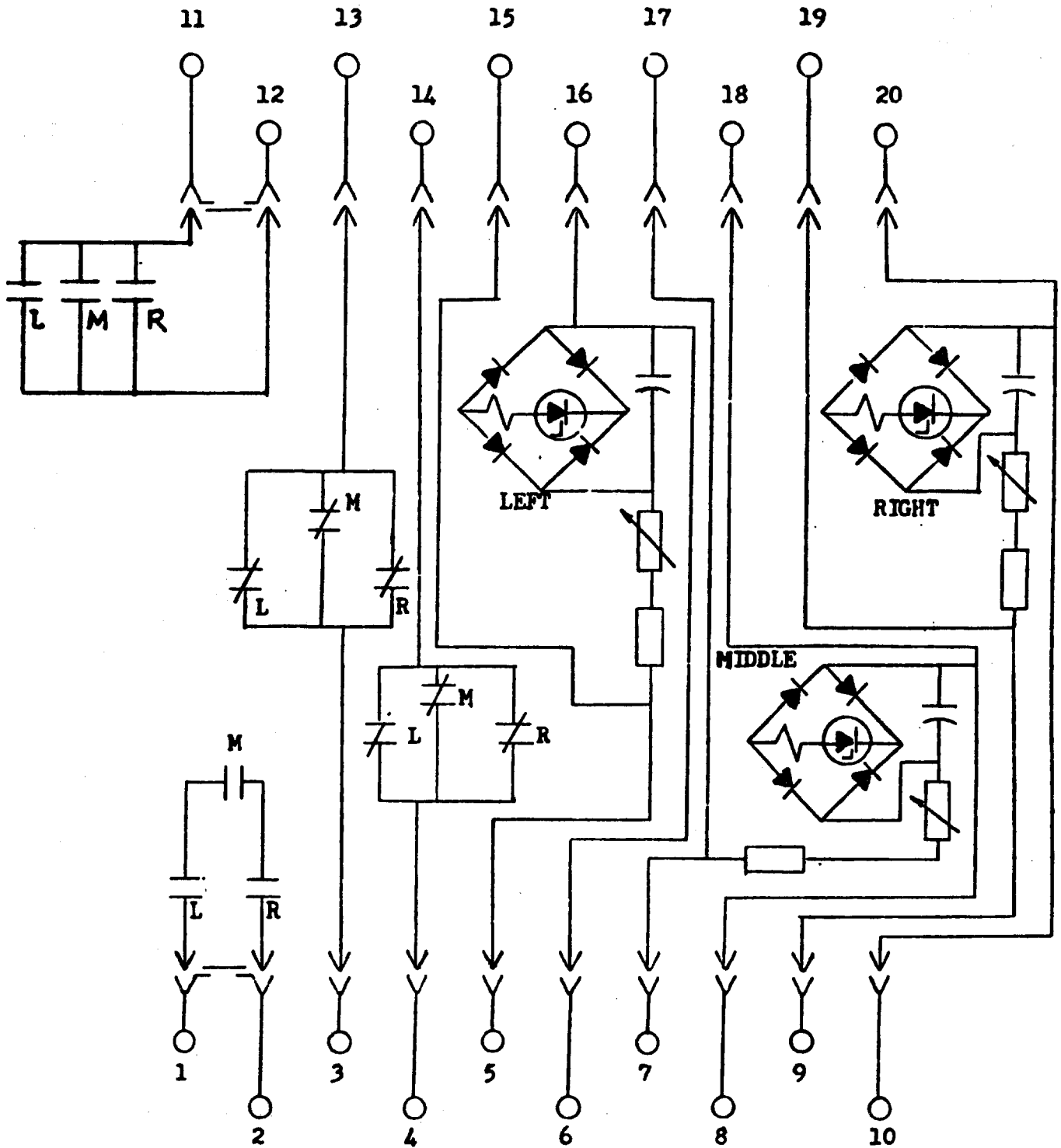


FIG. 1 (0246A2224-0) Internal Connection Diagram For The NGV 208A8330 Special Relay

