



INSTRUCTIONS

GEK-86089
Insert Booklet GEI-90805

UNDERVOLTAGE RELAY

TYPE NGV

MODEL 12NGV99AM(-)A

INTRODUCTION

This instruction book, together with insert booklet GEI-90805, forms the instructions for the 12NGV99AM(-)A relays.

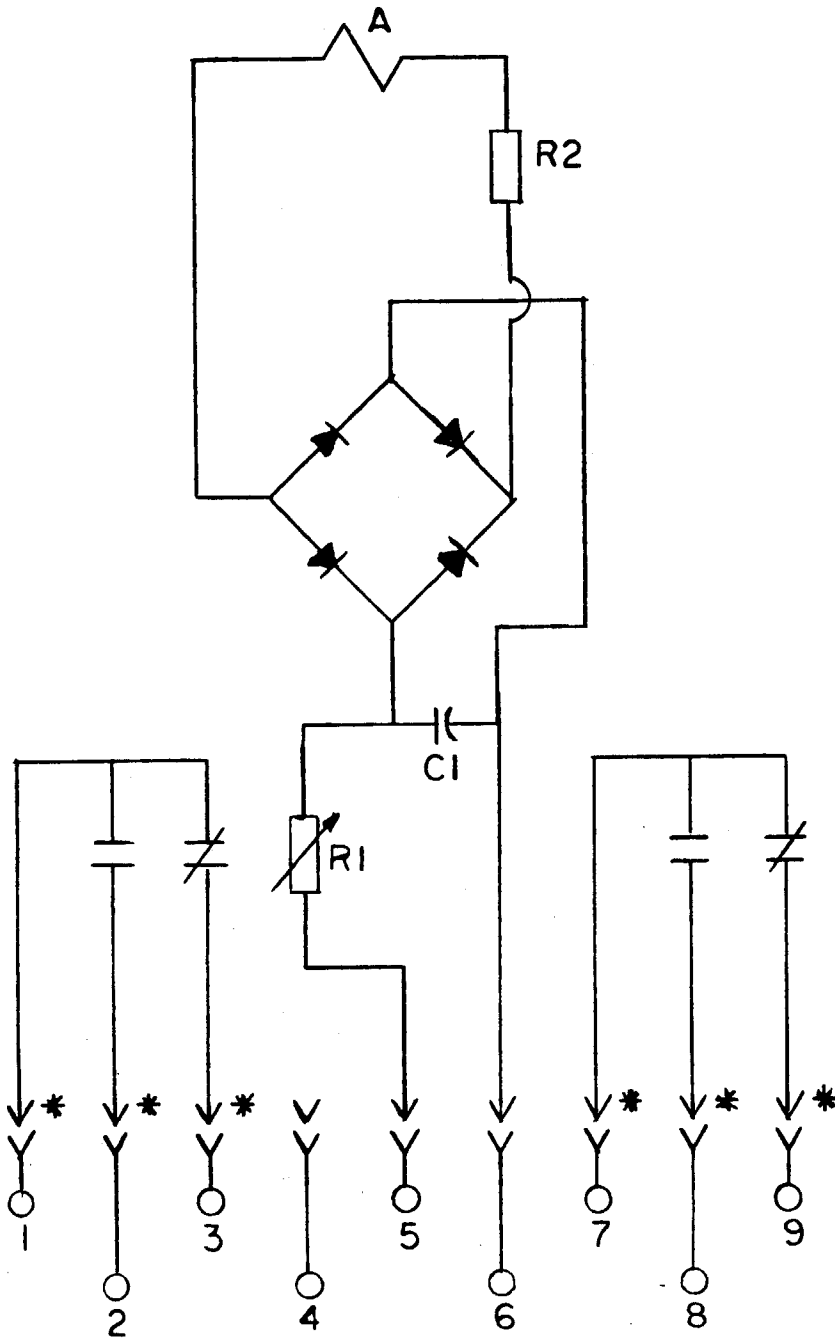
DESCRIPTION

The 12NGV99AM(-)A relays is similar to the 12NGV13A(-)A relay, except for the internal connections of Figure 1. The dropout voltage range is between 30 to 50 volts, with a pickup of 20 percent or less of the dropout setting. The relay has two "C" contacts, and is contained in an S1 drawout case.

These instructions do not purport to cover all details or variations in equipment nor to provide for every possible contingency to be met in connection with installation, operation or maintenance. Should further information be desired or should particular problems arise which are not covered sufficiently for the purchaser's purposes, the matter should be referred to the General Electric Company.

To the extent required the products described herein meet applicable ANSI, IEEE and NEMA standards; but no such assurance is given with respect to local codes and ordinances because they vary greatly.

120V	A	R1	R2	C1
AC	300Ω	1500Ω	1000Ω	.05 MFD



* = SHORT FINGER

Figure 1 (0285A8153-0) Internal Connections Diagram for Type NGV99AM(-)A Relay