



INSTRUCTIONS

GEK-45496

Insert Booklet - GEK-45347

Reclosing Relay

12NLR99AD001A

Introduction

This instruction booklet along with 12NLR21U(-)A instruction book, GEK-45347, form the instructions for the 12NLR99AD001A relay.

Description

The 12NLR99AD001A relay is similar to the 12NLR21U(-)A relay except that a shorting bar was added to studs 15-16.

Figure 1 of this booklet is the internal connections diagram for the 12NLR99AA001A relay.

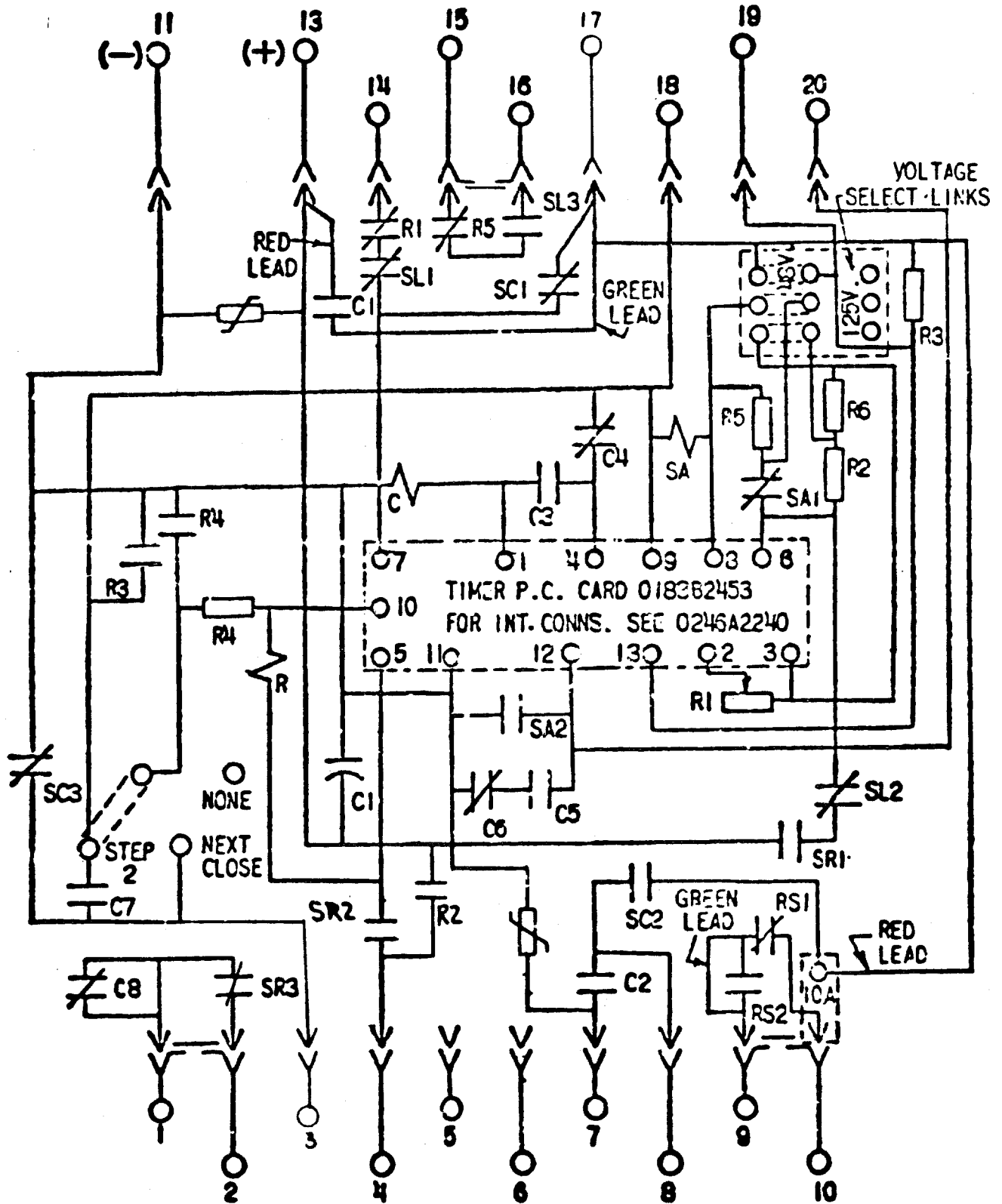
These instructions do not purport to cover all details or variations in equipment nor to provide for every possible contingency to be met in connection with installation, operation or maintenance. Should further information be desired or should particular problems arise which are not covered sufficiently for the purchaser's purposes, the matter should be referred to the General Electric Company.

To the extent required the products described herein meet applicable ANSI, IEEE and NEMA standards; but no such assurance is given with respect to local codes and ordinances because they vary greatly.

Power Systems Management Department

GENERAL  ELECTRIC

PHILADELPHIA, PA.



○ = POST NO. ON PRINTED CIRCUIT CARD

Figure 1 (0269A3033-0) Internal Connections Diagram for the 12NLR99AD001A Relay